

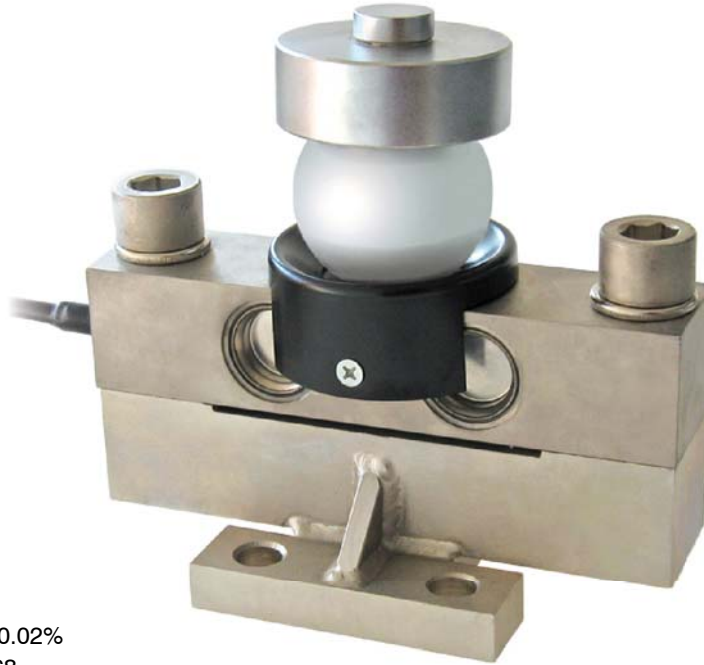
DTL

DOUBLE SHEAR BEAM LOAD CELLS

LAUMAS[®]
ELETTRONICA



Capacity 25000 kg



MOUNTING KITS



VCOKDTL

- SPECIAL STEEL
- COMBINED ERROR $\leq \pm 0.02\%$
- PROTECTION CLASS IP68

CAPACITY	kg	ACCURACY CLASS	IECEx	Ex	EAC	NET WEIGHT OF LOAD CELL (kg)	CODE
25000		C3	•	•	•	16	DTL25000
			ON REQUEST				

CERTIFICATIONS

OIML R60 C3

CERTIFICATIONS ON REQUEST

ATEX II 1GD (zone 0-1-2-20-21-22)

IECEx (zone 0-1-2-20-21-22)

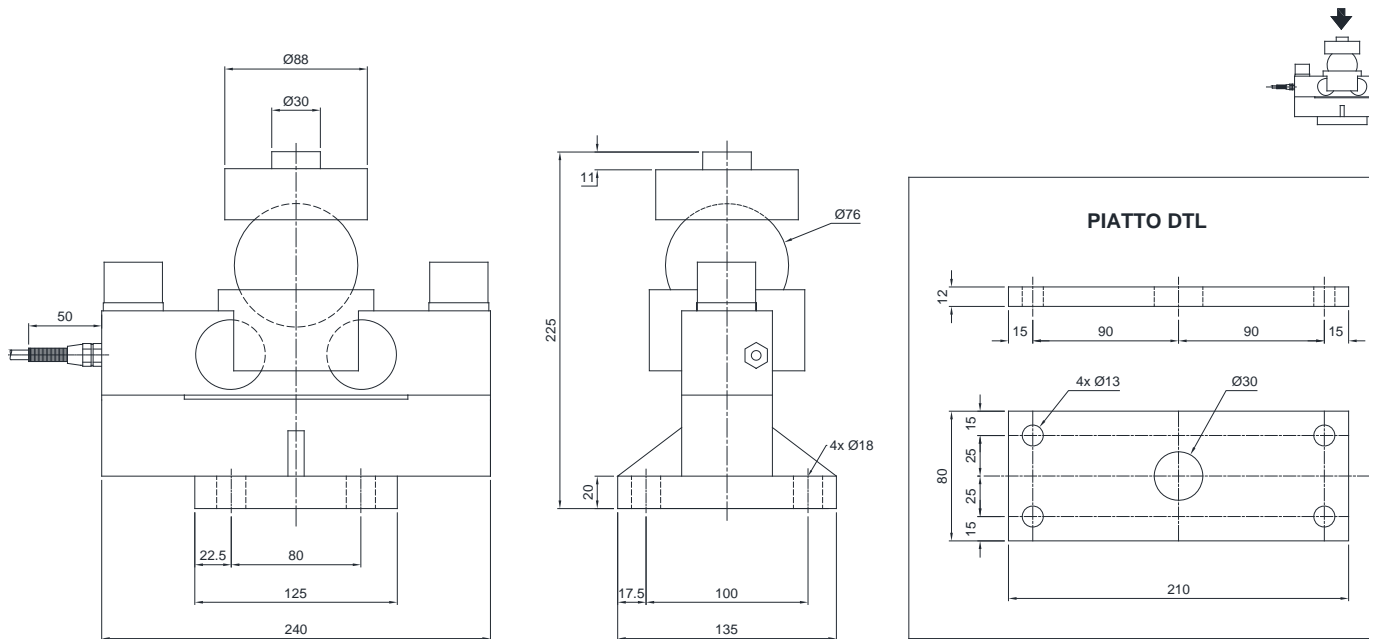
Complies with the Eurasian Custom Union regulations (Russia, Belarus, Kazakhstan)

COMPLEMENTARY ACCESSORIES

	DESCRIPTION	CODE
	Galvanized steel plate.	PIATTODTL

Rev. 00 del 12/03/2015

DIMENSIONS (mm)



Weight = 16 kg

TECHNICAL FEATURES

Material	Special steel		
OIML R60 Accuracy class • Verification intervals	C3 • 3000		
Nominal load (E max)	25000 kg		
Minimum verification interval (V min)	E max / 15000		
Combined error	≤ ±0.02%		
Protection class	IP68		
Rated output	2 mV/V ±0.1%	Input resistance	700 Ω ±7
Temperature effect on zero	0.002% °C	Output resistance	700 Ω ±7
Temperature effect on span	0.002% °C	Zero balance	≤ ±1%
Compensated temperature range	-10 °C / +40 °C	Insulation resistance	≥5000 MΩ
Operating temperature range	-35 °C / +65 °C	Safe overload (% of full scale)	150%
Creep at nominal load in 30 minutes	0.016%	Ultimate overload (% of full scale)	200%
Max supply voltage without damage	18 V	Deflection at nominal load	0.6 mm

ELECTRICAL CONNECTIONS

Cable length	12 m
Cable diameter	6 mm
Cores	4 x 0.22 mm ²



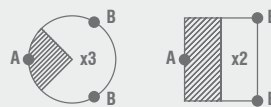
APPLICATION

■ LEVEL MEASUREMENTS

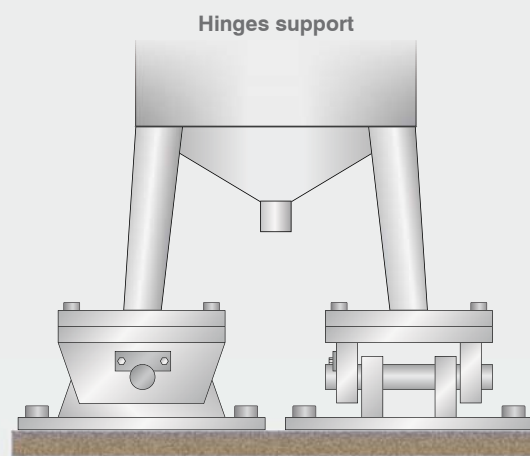
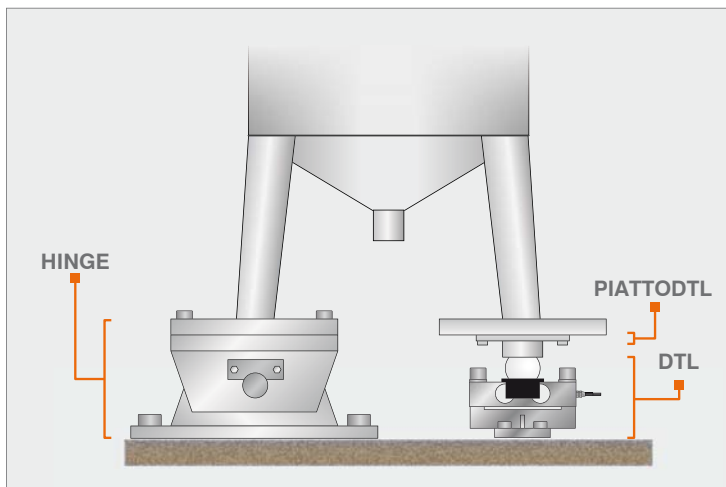
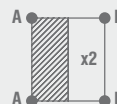
“Point support hinge” can be used in combination with the load cells for measuring the level of liquid or weighing powder products that do not require a high degree of precision. It is absolutely necessary that the structure to weight has a uniform shape and is geometrically divisible.

It must be perfectly level and the type of product to be weighed must enable horizontal positioning, as if it were a liquid (otherwise it loading systems which distribute the product/load uniformly are required). The electronic weight display will show the effective weight multiplying the signal by two or three, depending on the application.

3 SUPPORTS STRUCTURES
1 load cell (A) + 2 hinges (B)



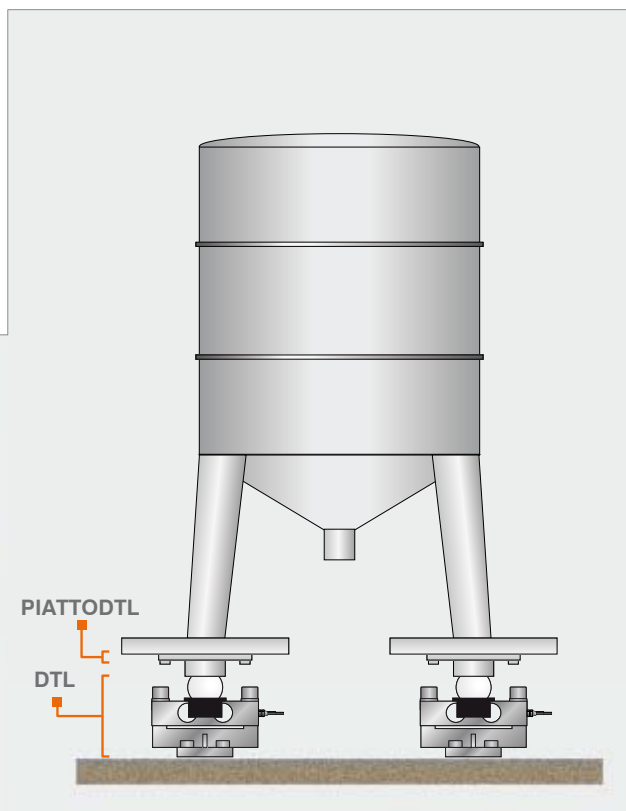
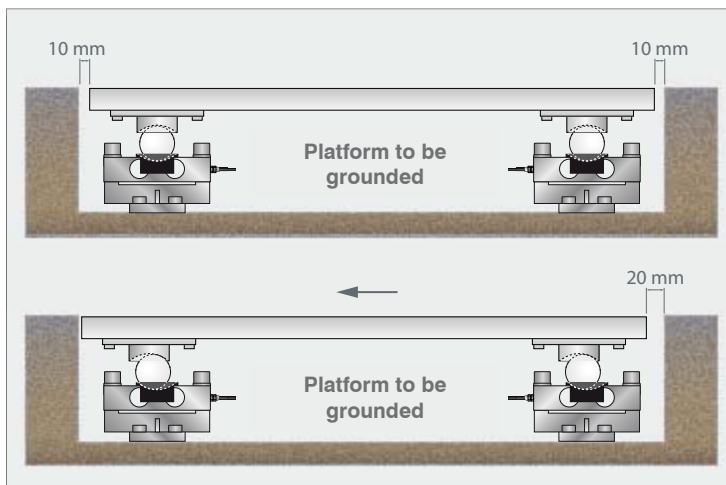
4 SUPPORTS STRUCTURES
2 load cells (A) + 2 hinges (B)



■ WEIGHING STRUCTURES NOT SUBJECT TO KNOCKS OR WIND EFFECT

The load cell, equipped with bases plus ball, is designed for weighing structures not subject to knocks or wind effect.

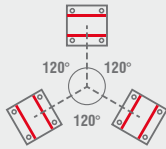
PIATTODTL is designed for facilitate the load cell installation and removal; it will be enough to lift 1 mm the structure. The different bending radius between the ball and the bases which contain it, makes that any side shifts lead to an increase of the structure.



■ WEIGHING STRUCTURES SUBJECT TO KNOCKS OR WIND EFFECT

The VCOKDTL accessory is equipped with two stay rods against lateral forces with an ultimate tensile strength of 10000 kg each, and two threaded rods (22 mm diameter) with nuts to use as a jack for the insertion and extraction of the cells and with two self-locking nuts for anti-tilt function. To ensure the stability of the structure, the designer must consider further contrivances according to the following conditions: knocks and vibrations; wind effect; seismic conditions; hardness of support structure.

3 SUPPORTS STRUCTURES



4 SUPPORTS STRUCTURES

