



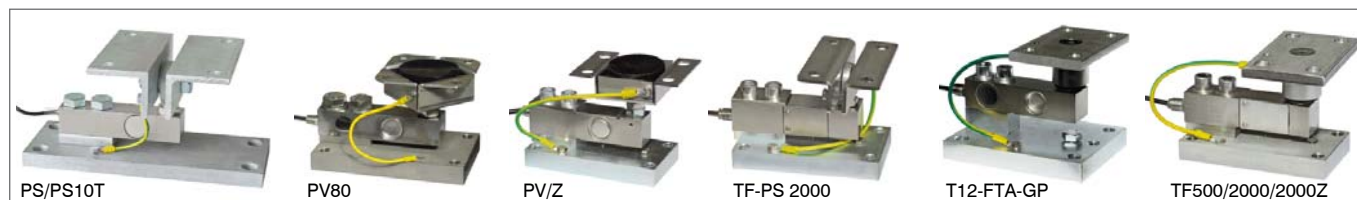
SHEAR BEAM: capacity from 500 kg to 10000 kg

BENDING BEAM: capacity from 75 kg to 300 kg



- AISI 420 STAINLESS STEEL
- COMBINED ERROR $\leq \pm 0.02\%$
- PROTECTION CLASS IP67, IP68

MOUNTING KITS



CAPACITY	kg	ACCURACY CLASS C3	IECEx	Ex	EAC	NET WEIGHT OF LOAD CELL (kg)	CODE
75		•	•	•		0.9	FTP75
150		•	•	•		0.9	FTP150
300		•	•	•		0.9	FTP300
500		•	•	•		0.9	FTP500
750		•	•	•		0.9	FTP750
1000		•	•	•		0.9	FTP1000
1500		•	•	•		0.9	FTP1500
2000		•	•	•		0.9	FTP2000
3000		–	•	•		1.6	FTP3000
5000		–	•	•		1.6	FTP5000
10000		–	•	•		3.8	FTP10000

ON REQUEST

CERTIFICATIONS

OIML R60 C3

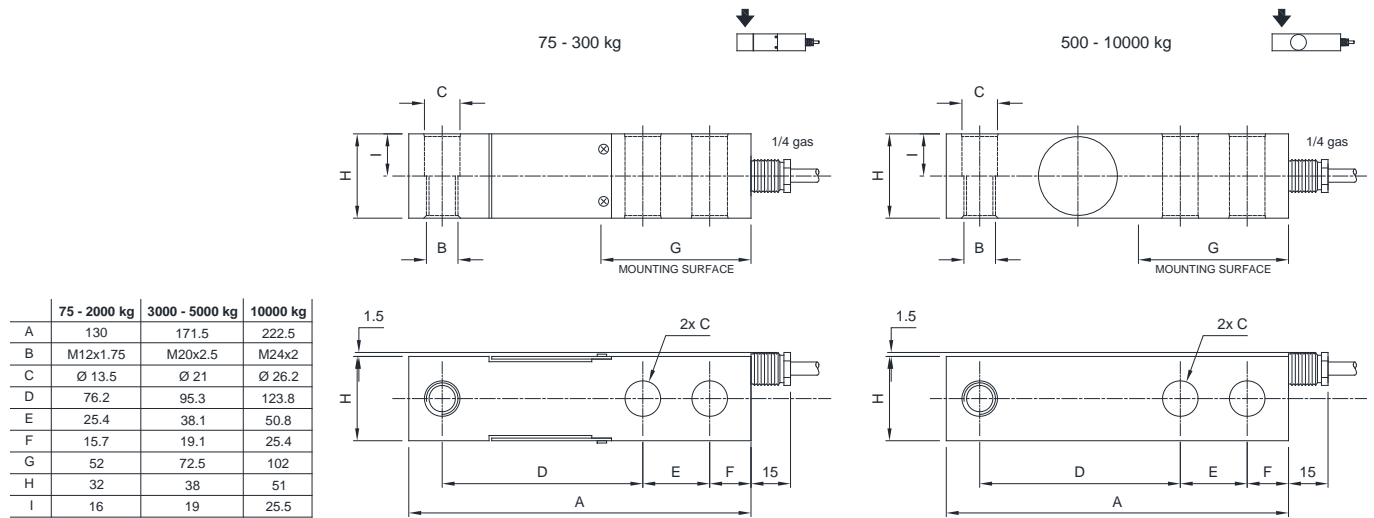
CERTIFICATIONS ON REQUEST

ATEX II 1GD (zone 0-1-2-20-21-22)

IECEx (zone 0-1-2-20-21-22)

Complies with the Eurasian Custom Union regulations (Russia, Belarus, Kazakhstan)

DIMENSIONS (mm)

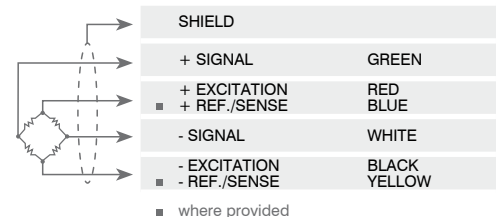


TECHNICAL FEATURES

Material	AISI 420 stainless steel	
OIML R60 Accuracy class • Verification intervals	C3 • 3000	-
Nominal load (E max)	75 -150 - 300 - 500 kg 1000 - 1500 - 2000 kg	3000 - 5000 - 10000 kg
Minimum verification interval (V min)	E max / 12000	-
Combined error	≤ ±0.02%	
Protection class	IP67 (75 - 300 kg), IP68 (500 - 10000 kg)	
Input resistance	385 Ω ± 10	400 Ω ± 15
Output resistance	350 Ω ± 3	350 Ω ± 5
Rated output	2 mV/V ± 0.1%	Max supply voltage without damage 15 V
Temperature effect on zero	0.002% °C	Zero balance ± 2%
Temperature effect on span	0.0012% °C	Insulation resistance ≥ 5000 MΩ
Compensated temperature range	-10 °C / +40 °C	Safe overload (% of full scale) 150%
Operating temperature range	-20 °C / +70 °C	Ultimate overload (% of full scale) 200%
Creep at nominal load in 30 minutes	0.03%	Deflection at nominal load 0.4 mm

ELECTRICAL CONNECTIONS

Cable length	5 m (75-5000 kg); 10 m (10000 kg)
Cable diameter	5 mm
Cores	4/6 x 0.25 mm ²



The Company reserves the right to make changes to the technical data, drawings and images without notice.