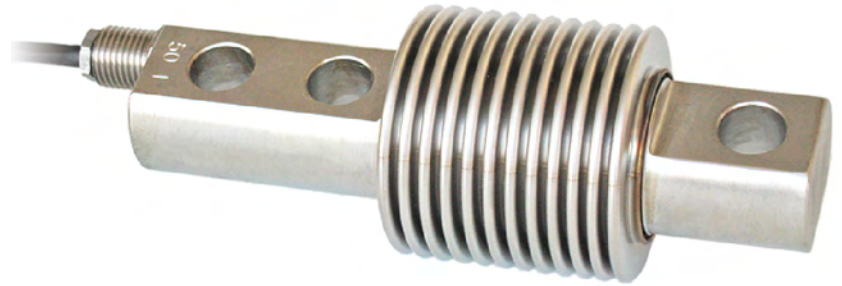




Capacity from 50 kg to 300 kg



- 17-4 PH STAINLESS STEEL
- COMBINED ERROR $\leq \pm 0.017\%$
- PROTECTION CLASS IP68

MOUNTING KITS



CAPACITY	kg	ACCURACY CLASS C3			EAC	NET WEIGHT OF LOAD CELL (kg)	CODE
50		•	•	•		0.5	FCAL50
75		•	•	•		0.5	FCAL75
150		•	•	•		0.5	FCAL150
300		•	•	•		0.5	FCAL300

ON REQUEST

CERTIFICATIONS

OIML R60 C3

CERTIFICATIONS ON REQUEST

ATEX II 1GD (zone 0-1-2-20-21-22)

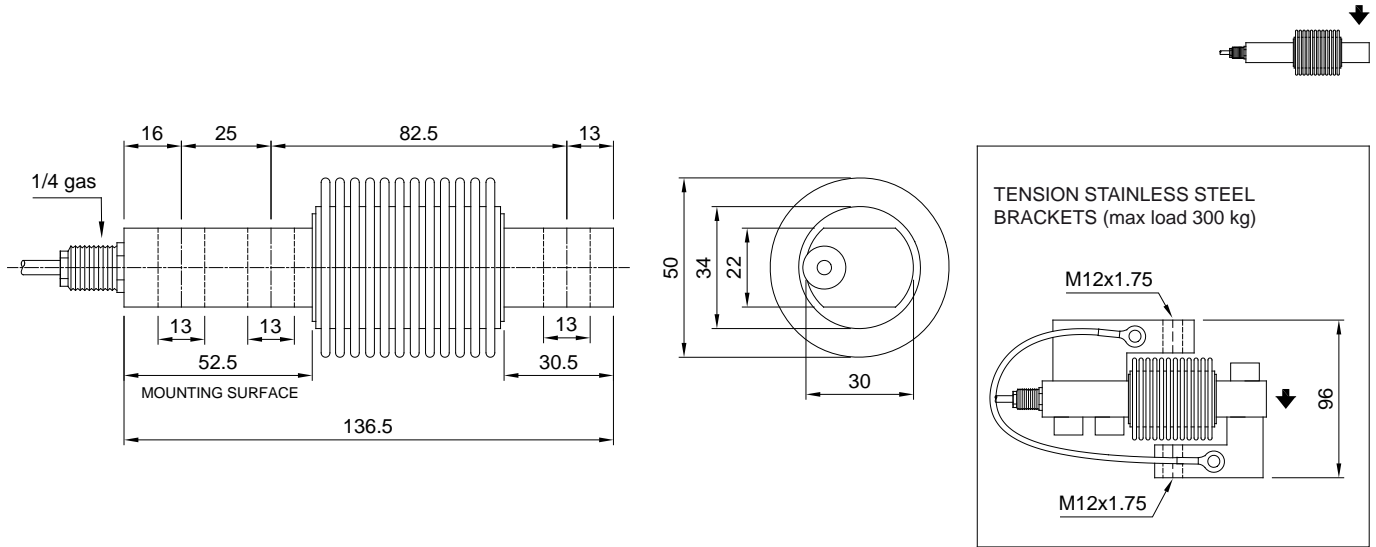
IECEx (zone 0-1-2-20-21-22)

Complies with the Eurasian Custom Union regulations (Russia, Belarus, Kazakhstan)

COMPLEMENTARY ACCESSORIES

	DESCRIPTION	CODE
	Pair of tension stainless steel brackets. Maximum static load: 300 kg	STAFFEFCA

DIMENSIONS (mm)



TECHNICAL FEATURES

Material	17-4 PH stainless steel		
OIML R60 Accuracy class • Verification intervals	C3 • 3000		
Nominal load (E max)	50 - 75 - 150 - 300 kg		
Minimum verification interval (V min)	E max / 10000		
Combined error	≤ ±0.017%		
Protection class	IP68		
Rated output	2.0 mV/V ±0.1%	Input resistance	400 Ω ±20
Temperature effect on zero	0.002% °C	Output resistance	350 Ω ±3
Temperature effect on span	0.0012% °C	Zero balance	±2%
Compensated temperature range	-10 °C / +40 °C	Insulation resistance	>5000 MΩ
Operating temperature range	-20 °C / +50°C	Safe overload (% of full scale)	200%
Creep at nominal load in 30 minutes	0.016%	Ultimate overload (% of full scale)	200%
Max supply voltage without damage	15 V	Deflection at nominal load	0.4 mm

ELECTRICAL CONNECTIONS

Cable length	3 m
Cable diameter	4 mm
Cores	4 x 0.22 mm ²



The Company reserves the right to make changes to the technical data, drawings and images without notice.