

# CLBT

## COMPRESSION / TENSION LOAD CELLS

**LAUMAS®**  
ELETTRONICA



Manufactured according to OIML R60 standards

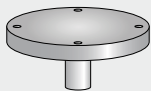
Capacity from 50 kg to 500 kg

- 50-100 kg: ALUMINIUM ALLOY (AVIONAL)
- 500 kg: 17-4 PH STAINLESS STEEL
- COMBINED ERROR  $\leq \pm 0.05\%$
- PROTECTION CLASS IP65



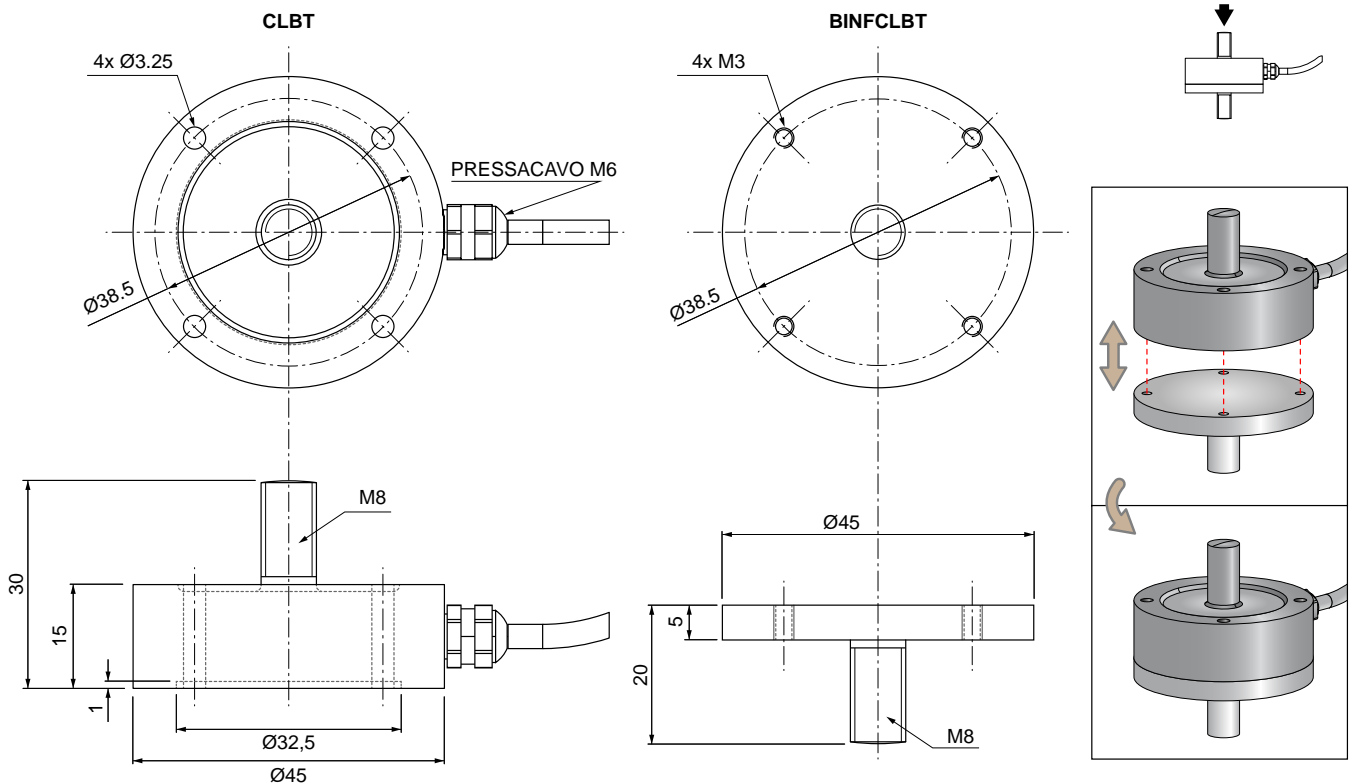
CAPACITY	kg	NET WEIGHT OF LOAD CELL (kg)	CODE
	50	0,15	CLBT50
	100	0,15	CLBT100
	500	0,25	CLBT500

### COMPLEMENTARY ACCESSORIES

	DESCRIPTION	CODE
	Lower base	BINFCLBT

Rev. 00 del 12/03/2015

### DIMENSIONS (mm)

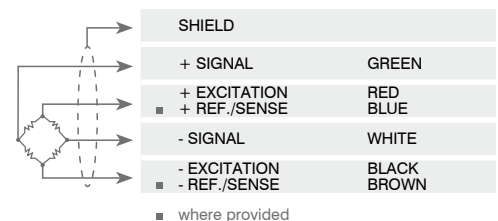


### TECHNICAL FEATURES

Material	Aluminium alloy (Avional)	17-4 PH stainless steel	
Nominal load (E max)	50 - 100 kg	500 kg	
Combined error	≤ ±0.05%		
Protection class	IP65		
Rated output	2 mV/V ±10%	Input resistance	700 Ω ±20
Temperature effect on zero	0.005% °C	Output resistance	700 Ω ±5
Temperature effect on span	0.005% °C	Zero balance	±1%
Compensated temperature range	-10 °C / +50 °C	Insulation resistance	>5000 MΩ
Operating temperature range	-20 °C / +70 °C	Safe overload (% of full scale)	150%
Creep at nominal load in 20 minutes	0.03%	Ultimate overload (% of full scale)	300%
Max supply voltage without damage	5 ÷ 15 V	Deflection at nominal load	0.3 mm

### ELECTRICAL CONNECTIONS

Cable length	5 m
Cable diameter	5 mm
Cores	6 x 0.088 mm <sup>2</sup>



The Company reserves the right to make changes to the technical data, drawings and images without notice.