



Manufactured according to OIML R60 standards

Capacity from 5000 kg to 10000 kg



- SPECIAL STEEL
- COMBINED ERROR $\leq \pm 0.1\%$
- PROTECTION CLASS IP68

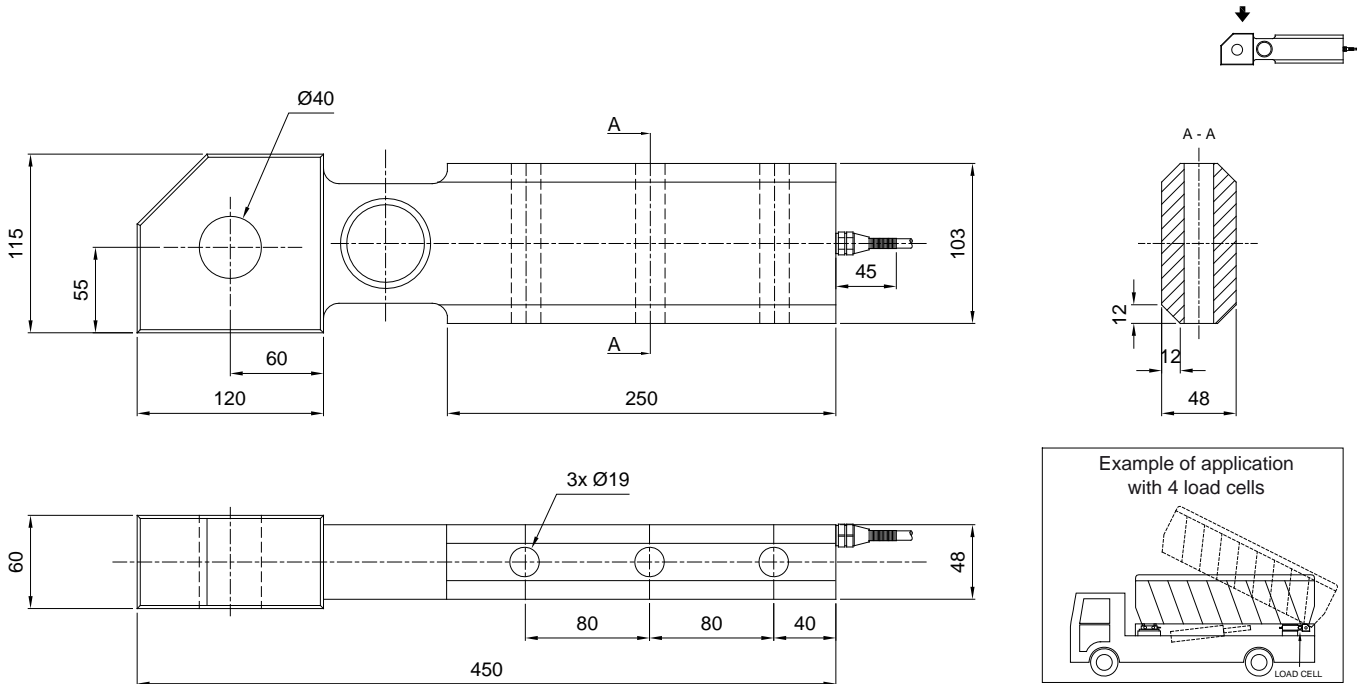
CAPACITY	kg			NET WEIGHT OF LOAD CELL (kg)	CODE
5000		•	•	15.5	FTH5000
10000		•	•	16.2	FTH10000
		 ON REQUEST			

CERTIFICATIONS

CERTIFICATIONS ON REQUEST

	ATEX II 1GD (zone 0-1-2-20-21-22)
	IECEx (zone 0-1-2-20-21-22)
	Complies with the Eurasian Custom Union regulations (Russia, Belarus, Kazakhstan)

DIMENSIONS (mm)

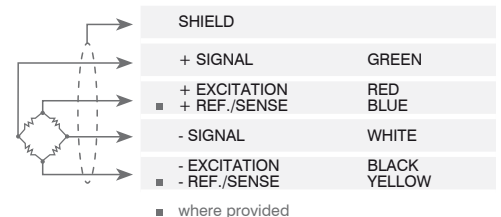


TECHNICAL FEATURES

Material	Special steel		
Nominal load (E max)	5000 - 10000 kg		
Combined error	≤ ±0.1%		
Protection class	IP68		
Rated output	1 mV/V ±0.5%	Input resistance	400 Ω ±20
Temperature effect on zero	0.005% °C	Output resistance	352 Ω ±3
Temperature effect on span	0.005% °C	Zero balance	±2%
Compensated temperature range	-10 °C / +40 °C	Insulation resistance	>5000 MΩ
Operating temperature range	-30 °C / +70 °C	Safe overload (% of full scale)	150%
Creep at nominal load in 30 minutes	0.1%	Ultimate overload (% of full scale)	300%
Max supply voltage without damage	15 V	Deflection at nominal load	0.4 mm

ELECTRICAL CONNECTIONS

Cable length	10 m
Cable diameter	6 mm
Cores	4/6 x 0.24 mm ²



The Company reserves the right to make changes to the technical data, drawings and images without notice.