



Capacity from 75 kg to 10000 kg



- 17-4 PH STAINLESS STEEL
- COMBINED ERROR  $\leq \pm 0.07\%$
- IP67 PROTECTION RATING
- ADJUSTABLE HEIGHT

EXAMPLE OF INSTALLATION WITH STR AND SB2 SERIES FEET



CAPACITY	kg	THREAD	NET WEIGHT (kg)
75		M12x1.75	1.70
150		M12x1.75	1.70
300		M12x1.75	-
500		M12x1.75	1.70
1000		M12x1.75	1.40
2000		M12x1.75	1.70
5000		M20x2.5	1.80
10000		M24x3	1.70

Foot not included.

### CERTIFICATIONS

**UKCA** Equivalent of the CE marking for the United Kingdom

CERTIFICATIONS ON REQUEST

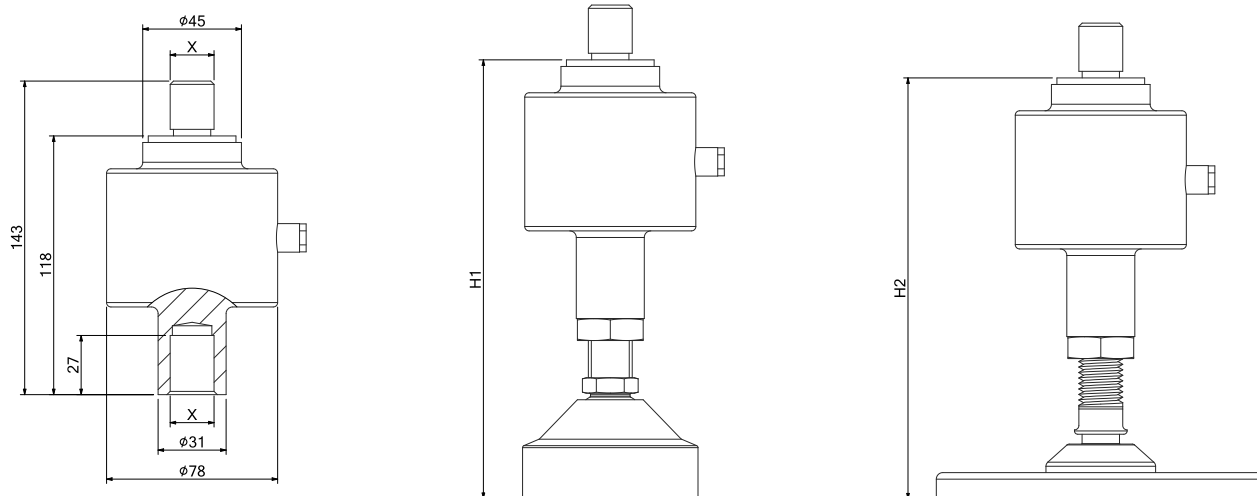
✓ Linearity test

Ex ATEX II 3GD (zone 2-22) (CE - UKCA)

### COMPLEMENTARY ACCESSORIES

	DESCRIPTION	CODE
	AISI 304 stainless steel plate for constraints against lateral forces and anti-tilt.	M12 PPV
	Only for SB2 series feet.	M20 PPV80

### DIMENSIONS AND TECHNICAL SPECIFICATIONS



CAPACITY	X	H1 (FLC+SB2)	H2 (FLC+STR)
75 kg	M12x1.75	190÷200 mm	182÷192 mm
150 kg	M12x1.75		
300 kg	M12x1.75		
500 kg	M12x1.75		
1000 kg	M12x1.75		
2000 kg	M12x1.75		
5000 kg	M20x2.5	-	-
10000 kg	M24x3		

#### Installation notes:

- screw the foot all the way in;
- slightly unscrew the foot to adjust (maximum excursion: 10 mm);
- tighten the fixing nut.

For further information see the STR and SB2 data sheets

### TECHNICAL FEATURES

Material	17-4 PH stainless steel		
Nominal load	75 - 150 - 300 - 500 - 1000 - 2000 - 5000 - 10000 kg		
Combined error	≤ ±0.07%		
Protection rating	IP67		
Rated output	2.0 mV/V ±5%	Input resistance	350 Ω ±20
Temperature effect on zero	0.002% °C	Output resistance	350 Ω ±5
Temperature effect on span	0.002% °C	Zero balance	> ±1%
Compensated temperature range	-10 °C / +50 °C	Insulation resistance	>5000 MΩ
Operating temperature range	-20 °C / +60 °C	Safe overload (% of full scale)	120%
Creep at nominal load in 30 minutes	0.02%	Ultimate overload (% of full scale)	200%
Max supply voltage without damage	20 VDC	Deflection at nominal load	0.1 mm

### ELECTRICAL CONNECTIONS

Cable length	5 m (75-5000 kg); 10 m (10000 kg)
Cable diameter	5 mm
Cores	6 x 0.20 mm <sup>2</sup>

