

AR

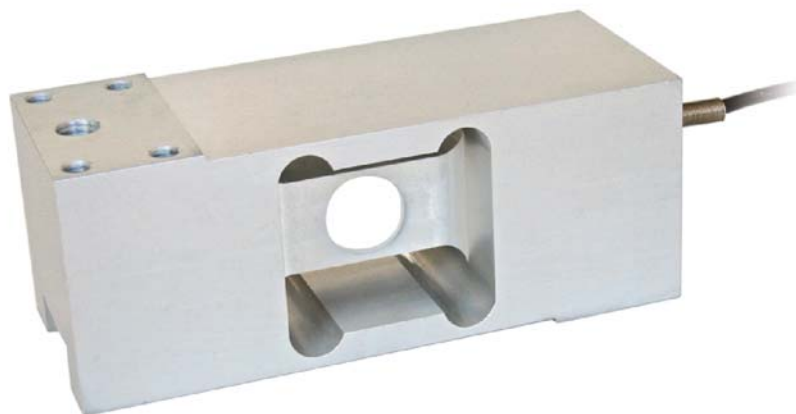
SINGLE-POINT LOAD CELL for platforms 800x800 mm

LAUMAS®
ELETTRONICA



Manufactured according to OIML R60 standards

Capacity from 500 kg to 1000 kg



- ALUMINUM ALLOY
- COMBINED ERROR $\leq \pm 0.02\%$
- PROTECTION CLASS IP65

| CAPACITY | kg | | | EAC | PLATFORM DIMENSION (mm) | NET WEIGHT OF LOAD CELL (kg) | CODE |
|----------|------|---|---|-----|-------------------------|------------------------------|--------|
| | 500 | • | • | • | 800 x 800 | 2.2 | AR500 |
| | 1000 | • | • | • | 800 x 800 | 2.3 | AR1000 |

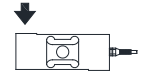
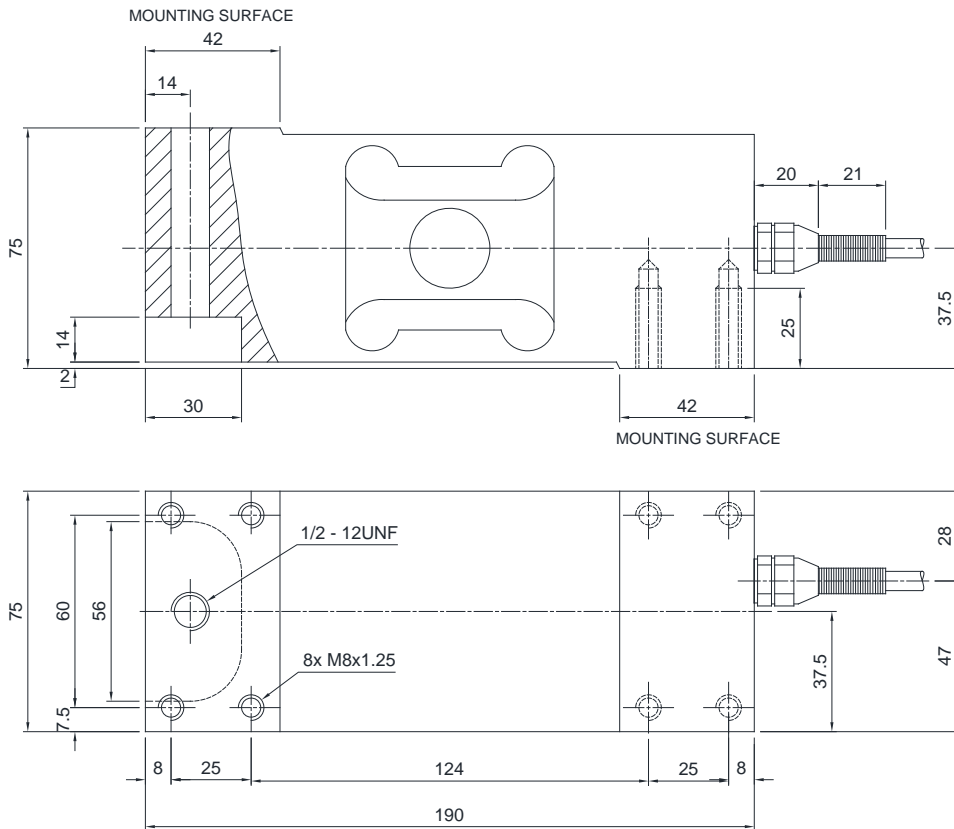
ON REQUEST

CERTIFICATIONS

CERTIFICATIONS ON REQUEST

| | |
|--|---|
| | ATEX II 1GD (zone 0-1-2-20-21-22) |
| | IECEx (zone 0-1-2-20-21-22) |
| | Complies with the Eurasian Custom Union regulations (Russia, Belarus, Kazakhstan) |

DIMENSIONS (mm)

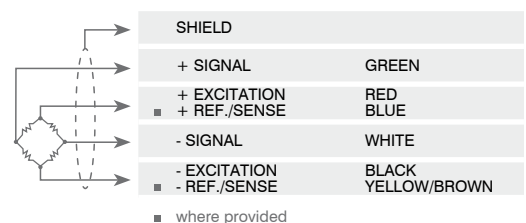


TECHNICAL FEATURES

| | | | |
|-------------------------------------|-----------------|-------------------------------------|-----------|
| Material | Aluminum alloy | | |
| Nominal load (E max) | 500 - 1000 kg | | |
| Combined error | ≤ ±0.05% | | |
| Protection class | IP65 | | |
| Rated output | 2 mV/V ±10% | Input resistance | 410 Ω ±10 |
| Temperature effect on zero | 0.0025% °C | Output resistance | 350 Ω ±3 |
| Temperature effect on span | 0.0025% °C | Zero balance | ±2% |
| Compensated temperature range | -10 °C / +40 °C | Insulation resistance | >2000 MΩ |
| Operating temperature range | -20 °C / +60 °C | Safe overload (% of full scale) | 120% |
| Creep at nominal load in 30 minutes | 0.03% | Ultimate overload (% of full scale) | 200% |
| Max supply voltage without damage | 15 V | Deflection at nominal load | 0.5 mm |

ELECTRICAL CONNECTIONS

| | |
|----------------|----------------------------|
| Cable length | 3 m |
| Cable diameter | 5 mm |
| Cores | 4/6 x 0.20 mm ² |



The Company reserves the right to make changes to the technical data, drawings and images without notice.