

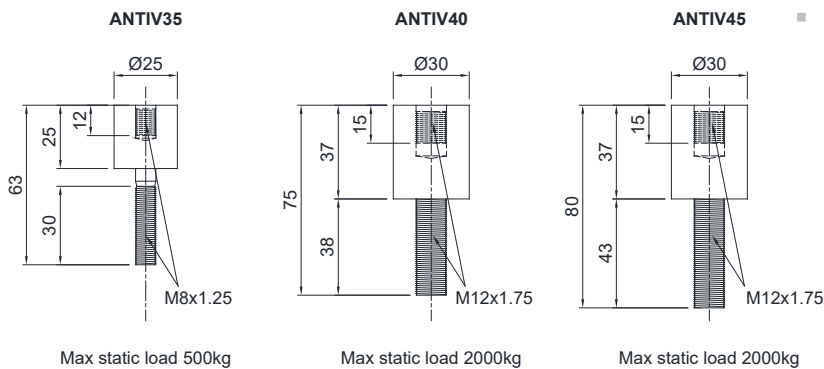
Up to 2000 kg application range



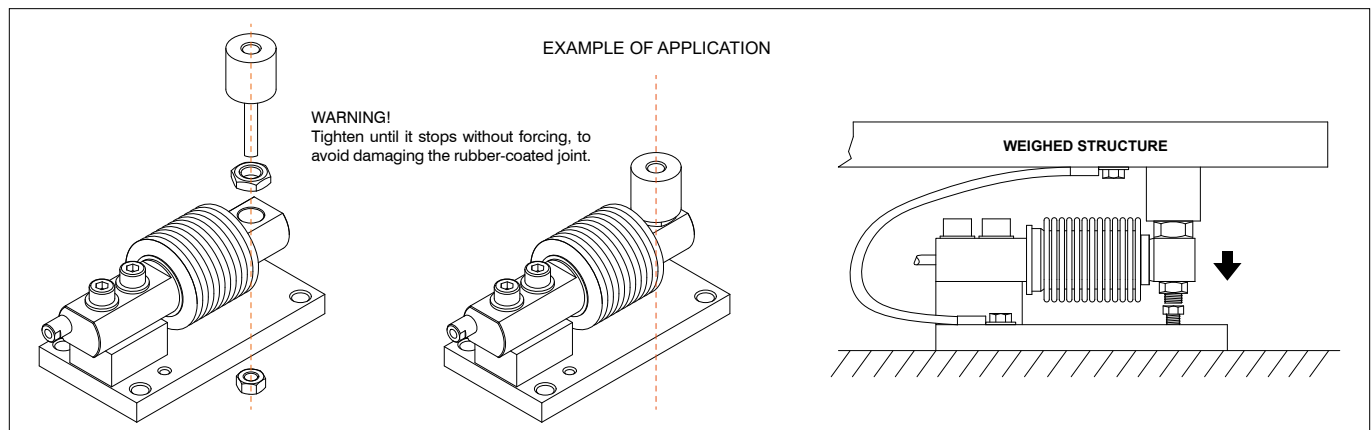
MAX STATIC LOAD kg	FOR LOAD CELLS	DIMENSIONS	NET WEIGHT (kg)	CODE
500	FCOL - FCK	M8x1.25	0.04	ANTIV35
2000	FTKL - FTL - FCAL - FCAX - FTP FT-P - FTK- FTZ - CLS	M12x1.75	0.1	ANTIV40
2000	FCAL - FCAX	M12x1.75	0.1	ANTIV45

## DIMENSIONS AND APPLICATION

## DESCRIPTION



- Stainless steel and rubber compression joints to compensate for any misalignments of the support plates.



The Company reserves the right to make changes to the technical data, drawings and images without notice.