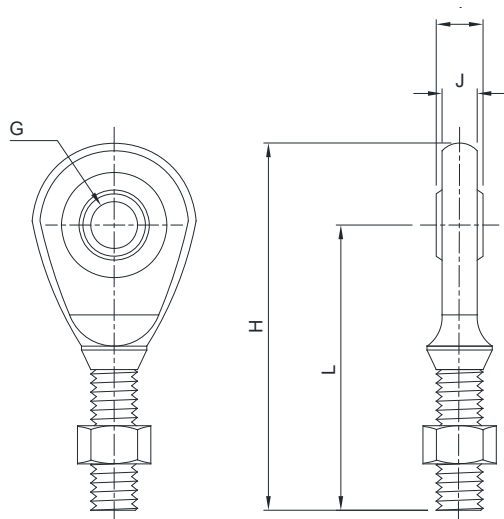




For TENSION (COMPRESSION) load cells

THREAD	MATERIAL	LOAD RATINGS kN		NET WEIGHT (kg)	CODE
		DYNAMIC	STATIC		
M12	stainless steel	10.8	24.5	0.08	EM12DADOINOX
M16		21	45	0.19	EM16DADOINOX
M20		30	60	0.30	EM20DADOINOX
M24		48	83	0.60	EM24DADOINOX
M6	galvanized C45 steel	3.6	8.1	0.02	EM6DADO
M8		5.8	12.9	0.04	EM8DADO
M10		8.6	17.6	0.06	EM10DADO
M12		11	24.5	0.08	EM12DADO
M16		22	45	0.19	EM16DADO
M20		31	60	0.30	EM20DADO
M24		51	83	0.60	EM25DADO
M30		65	110	0.93	EM30DADO
M36	112	146	1.45	EM35DADO	

DIMENSIONS



CODE	THREAD	G	H	I	J	L
EM12DADOINOX	M12x1.75	Ø12	72	10	8.5	55
EM16DADOINOX	M16x2	Ø17	88.5	14	11.5	65.5
EM20DADOINOX	M20x1.5	Ø20	104	16	13.5	77
EM24DADOINOX	M24x2	Ø25	124	20	18	92

EM6DADO	M6x1	Ø6	47	6	4.5	36.5
EM8DADO	M8x1.25	Ø8	54	8	6.5	42.5
EM10DADO	M10x1.5	Ø10	62.5	9	7.5	48.5
EM12DADO	M12x1.75	Ø12	71	10	8.5	54.5
EM16DADO	M16x2	Ø17	92	14	11.5	69.5
EM20DADO	M20x1.5	Ø20	104.5	16	13.5	77.5
EM25DADO	M24x2	Ø25	126	20	17.5	94.5
EM30DADO	M30x2	Ø30	146.5	22	19.5	110
EM35DADO	M36x3	Ø35	181	25	21.5	140

The Company reserves the right to make changes to the technical data, drawings and images without notice.