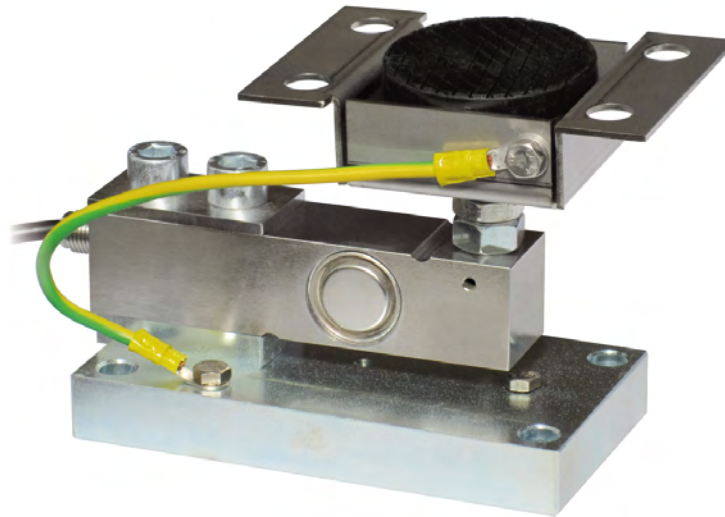


Series load cells: FTL - FTK - FTKL - FTP - FT-P - FTZ

Application range from 75 to 2000 kg



| MAX STATIC LOAD kg | FOR LOAD CELLS                      | NET WEIGHT OF MOUNTING KIT (kg) | CODE |
|--------------------|-------------------------------------|---------------------------------|------|
| 2000               | FTL - FTK - FTKL - FTP - FT-P - FTZ | 2.7                             | PV   |
| 2000               | FTL - FTK - FTKL - FTP - FT-P - FTZ | 2.7                             | PVZ  |

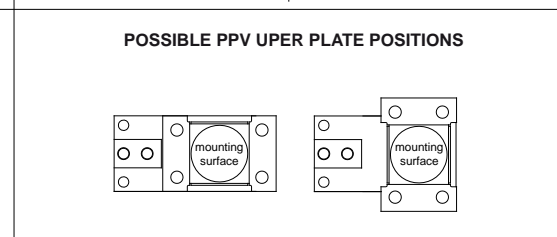
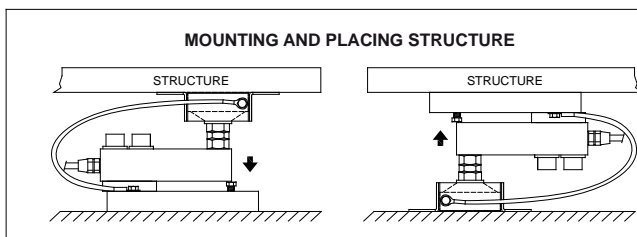
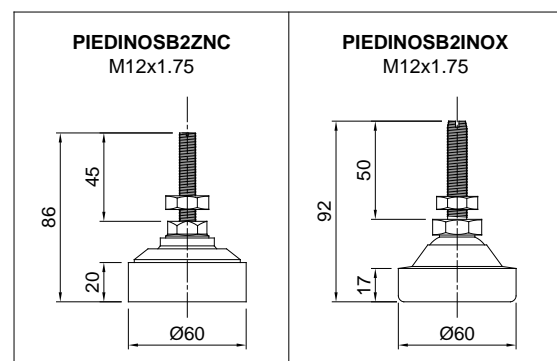
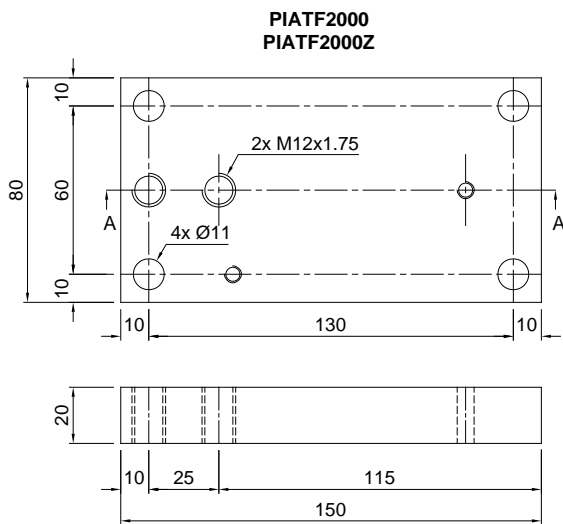
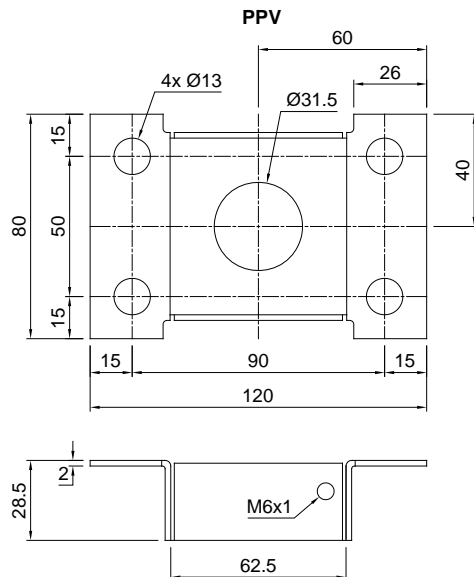
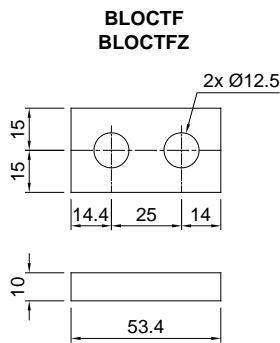
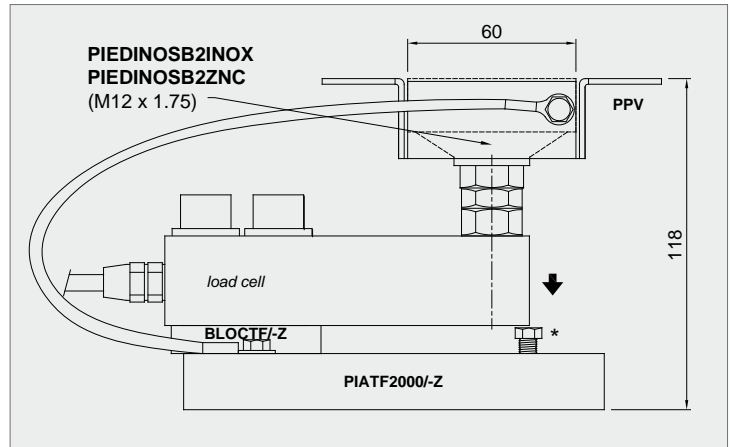
*Load cell not included.*

### DESCRIPTION

- Adjustable upper plate in AISI 304 stainless steel (PPV).
- Lower plate and block in AISI 304 stainless steel (PV) or galvanized steel (PVZ)
- Constraint against lateral forces and anti-tilt by in (TF-PV, TF-PV-2000) AISI 304 stainless steel or (TF-PVZ) galvanized steel self-centring joint foot.
- Misalignment compensation of the support plates structure.
- Adjustable height.
- Locking screw to avoid damage during transport and installation.

### DIMENSIONS AND TECHNICAL SPECIFICATIONS

- During the transport and installation the lock (\*) must touch under the load cell. After installation, move the lock away from the load cell.
- Interconnect the plates to the earthing.
- In case of structure with four-point support, if one-point does not touch the compression joint, you must proceed to insert a shim before fixing the bolts.



Rev. 00 del 12/03/2015

The Company reserves the right to make changes to the technical data, drawings and images without notice.