

PV80CLS

MOUNTING KIT for COMPRESSION-LOW PROFILE load cells

LAUMAS[®]
ELETTRONICA

Series load cells: CLS

Application range 5000 kg



MAX STATIC LOAD kg	FOR LOAD CELLS	NET WEIGHT OF MOUNTING KIT (kg)	CODE
5000	CLS (5000 kg)	1.5	PV80CLS

Load cell not included.

DESCRIPTION

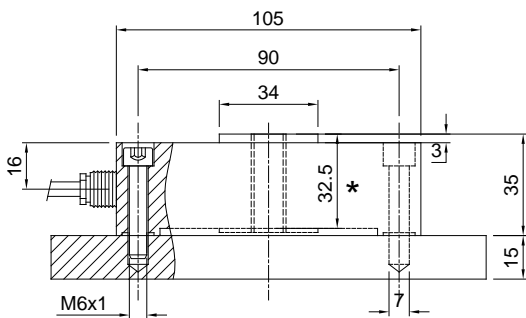
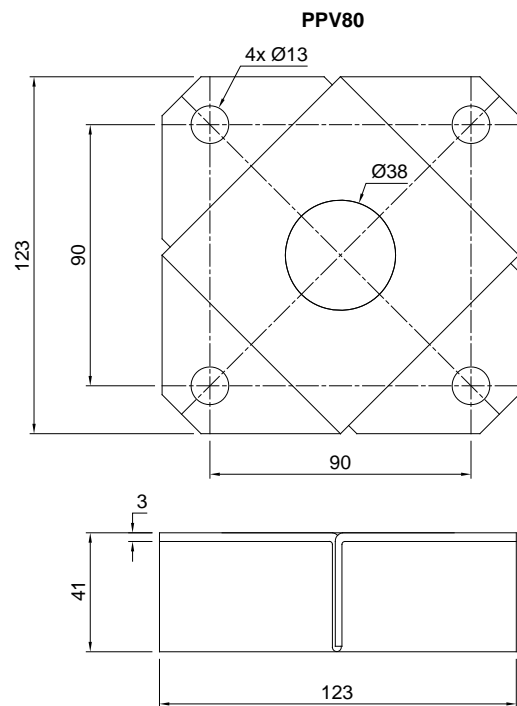
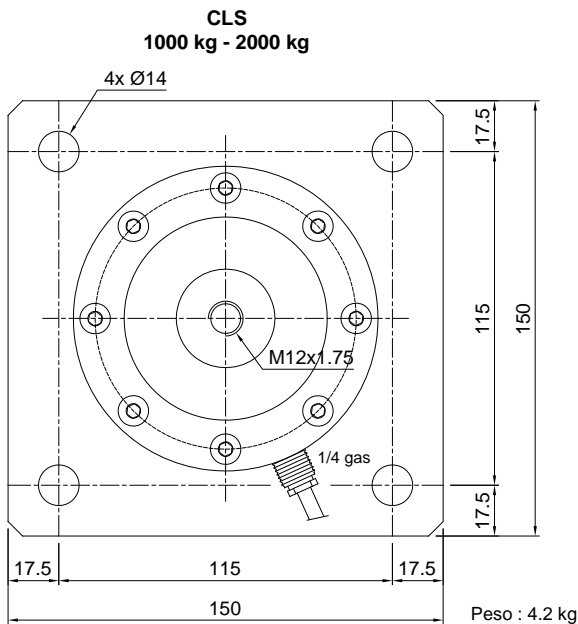
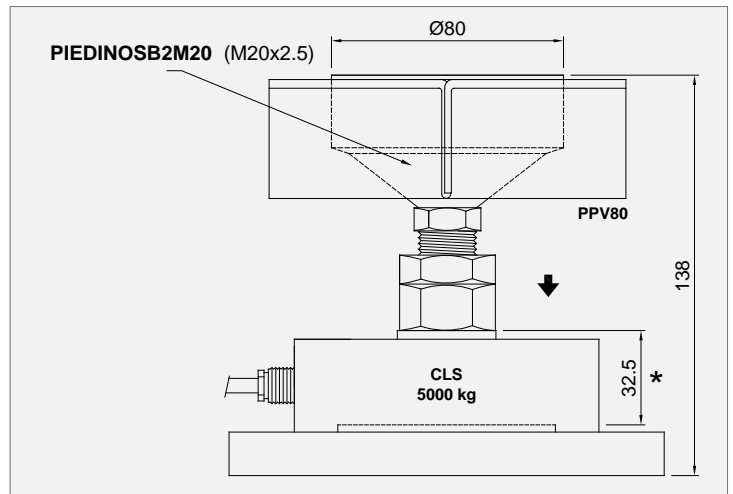
- Adjustable upper plate in AISI 304 stainless steel (PPV80).
- AISI 304 stainless steel lower plate.
- Constraint against lateral forces and anti-tilt by in stainless steel self-centring joint foot.
- Misalignment compensation of the support plates structure.
- Adjustable height.

PV80CLS

Mounting Kit for COMPRESSION-LOW PROFILE load cells

DIMENSIONS AND TECHNICAL SPECIFICATIONS

- Finished the installation by means of a copper wire, connect the upper supporting plate with the lower supporting plate, then connect all the lower plates to the earthing system.
- In case of structure with four-point support, if one-point does not touch the support base of the foot, you must proceed to adjust foot height.



* WARNING!
Max dimension to insert the bolt to allow the cell to perform properly

