

PVEN1090

MOUNTING KIT for SHEAR BEAM load cells

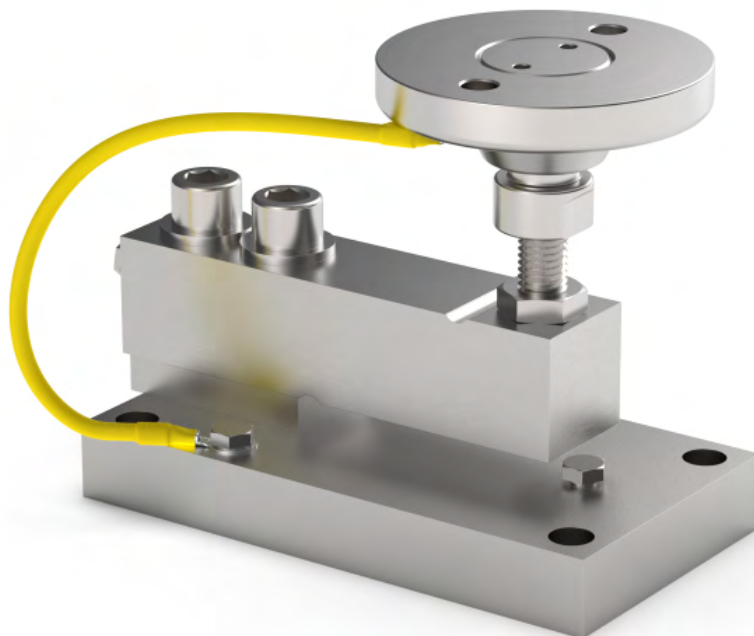
LAUMAS®

Series load cells: FTL - FTK - FTKL - FTP - FT-P - FTZ



Up to 2000 kg application range

Certification EN1090



MAX STATIC LOAD kg	FOR LOAD CELLS	NET WEIGHT (kg)	CODE
2000	FTL - FTK - FTKL - FTP - FT-P - FTZ	2.7	PVEN1090

Load cell not included.

DESCRIPTION

- Constraint against lateral forces and anti-tilt by AISI 304 stainless steel self-centring joint foot.
- Lower plate and block in AISI 304 stainless steel.
- Compensation for any misalignments of the support plates of the structure.
- Adjustable height.
- Locking screw to avoid damage during transport and installation.

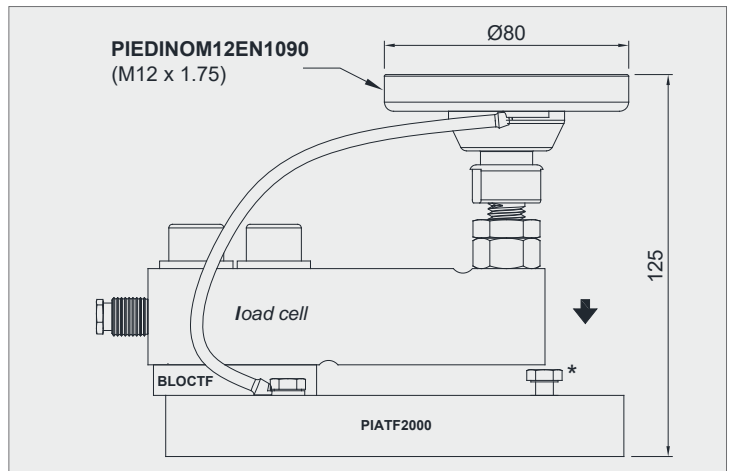
PVEN1090

MOUNTING KIT for SHEAR BEAM load cells

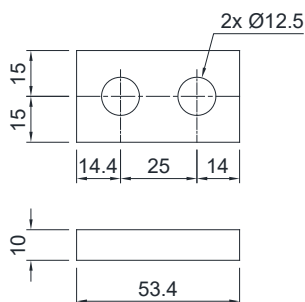
LAUMAS®

DIMENSIONS AND TECHNICAL SPECIFICATIONS

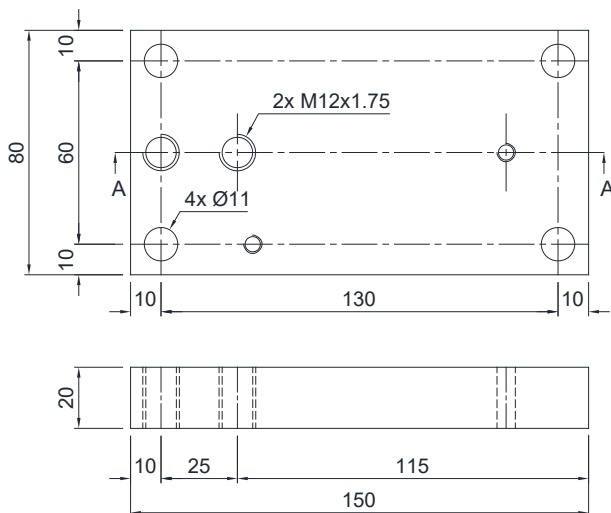
- During the transport and installation the lock (*) must touch under the load cell. After installation, move the lock away from the load cell.
- Interconnect the plates to the earthing.
- In case of structure with four-point support, if one-point does not touch the upper part of the mounting kit, you must proceed to insert a shim before fixing the bolts.



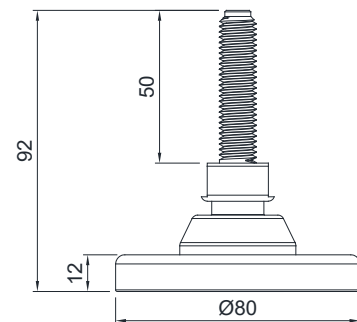
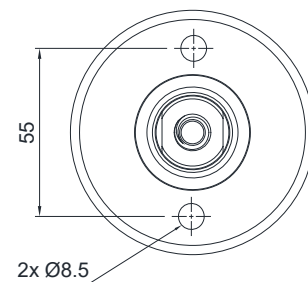
BLOCTF



PIATF2000



PIEDINOM12EN1090
M12x1.75



FIXING TO THE WEIGHED STRUCTURE

