

SB2 – PXC

Self-centring joint feet

LAUMAS®

For BENDING BEAM and SHEAR BEAM load cells

Up to 5000 kg application range



MAX STATIC LOAD	kg	THREAD	DIMENSIONS	MATERIAL	NET WEIGHT (kg)	CODE
500		M8	Ø60 x H 92 mm		0.3	PIEDINOSB2M8
500		M10	Ø60 x H 92 mm		0.3	PIEDINOSB2M10
2000		M12	Ø60 x H 92 mm	stainless steel	0.4	PIEDINOSB2INOX
2000		M12	Ø60 x H 78 mm		0.4	PIEDINOPXC1
5000		M20	Ø80 x H 105 mm		0.9	PIEDINOSB2M20
2000		M12	Ø60 x H 78 mm		0.4	PIEDINOPXC
2000		M12	Ø60 x H 86 mm	galvanized steel	0.4	PIEDINOSB2ZNC
5000		M20	Ø62 x H 110 mm		0.9	PIEDINOSB2ZNCM20

Nuts and washers included.

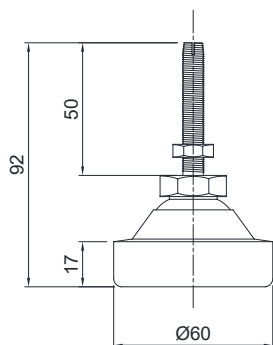
SB2 - PXC

Self-centring joint feet

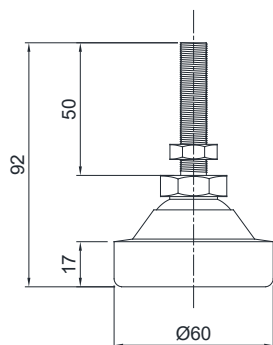
LAUMAS®

DIMENSIONS AND APPLICATION

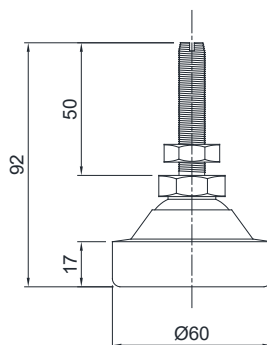
PIEDINOSB2M8
M8x1.25



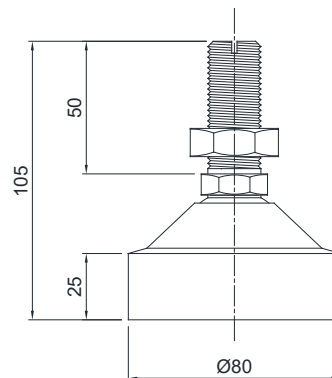
PIEDINOSB2M10
M10x1.5



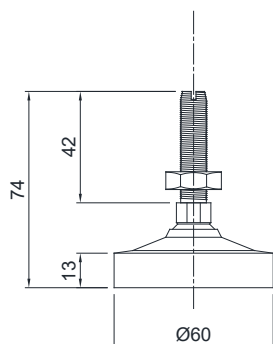
PIEDINOSB2INOX
M12x1.75



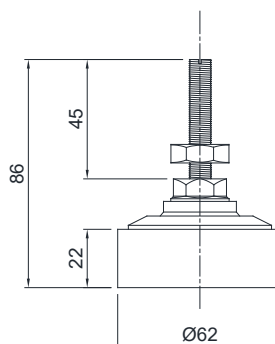
PIEDINOSB2M20
M20x2.5



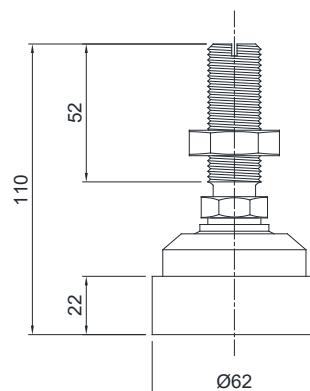
PIEDINOPXCI
PIEDINOPXC
M12x1.75



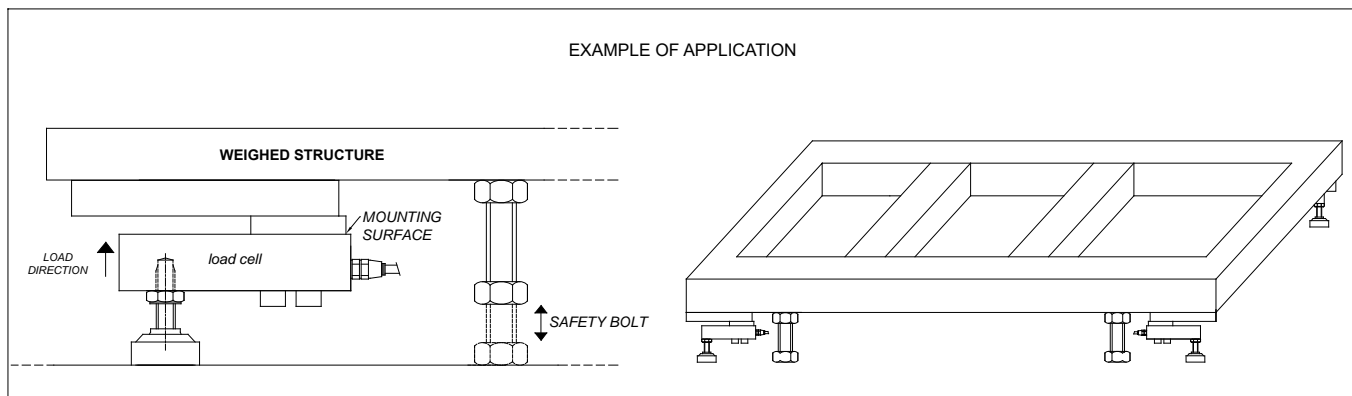
PIEDINOSB2ZNC
M12x1.75



PIEDINOSB2ZNCM20
M20x2.5



EXAMPLE OF APPLICATION



Rev. 0.0

The Company reserves the right to make changes to the technical data, drawings and images without notice.