

For BENDING BEAM and SHEAR BEAM load cells

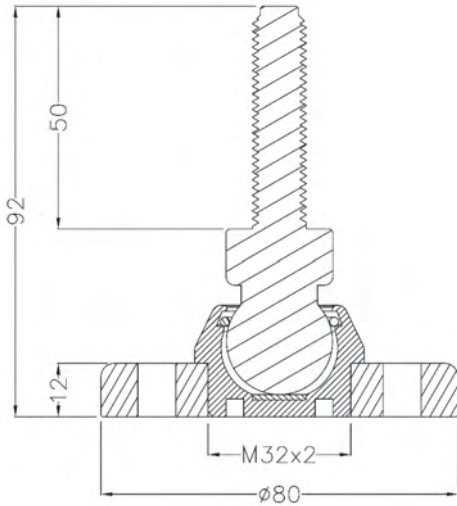
Up to 5000 kg application range



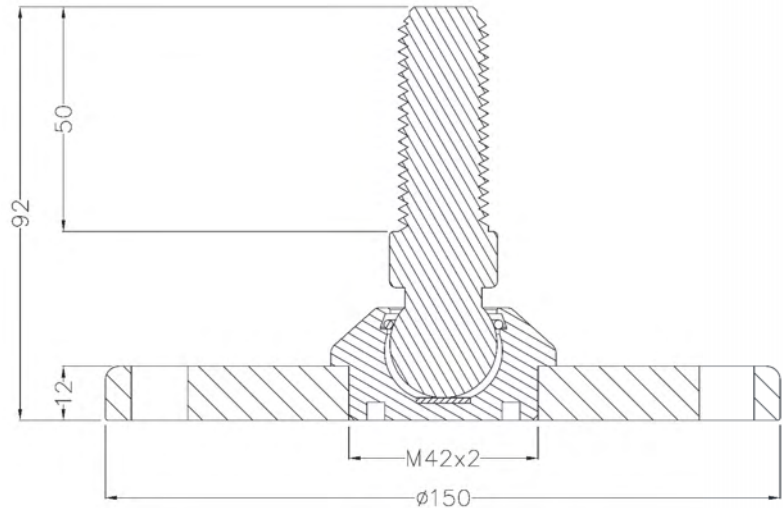
MAX STATIC LOAD	kg	THREAD	DIMENSIONS	MATERIAL	NET WEIGHT (kg)	CODE
2500		M12	Ø80 x H 92 mm	stainless steel	0.4	PIEDINOM12EN1090
5000		M20	Ø150 x H 92 mm		0.9	PIEDINOM20EN1090

DIMENSIONS AND APPLICATION

PIEDINOM12EN1090



PIEDINOM20EN1090



EXAMPLE OF APPLICATION

