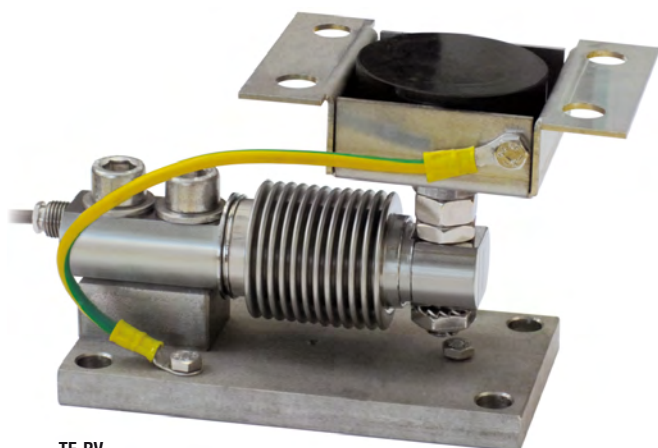
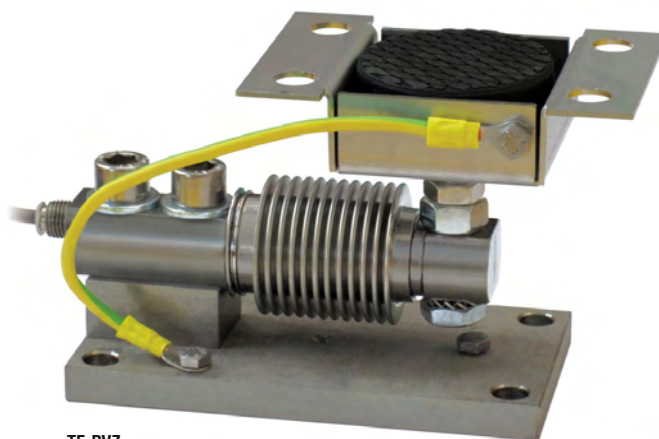


Series load cells: **FCAL - FCAX**

Application range from 30 to 1000 kg



TF-PV
TF-PV2000



TF-PVZ

MAX STATIC LOAD	kg	FOR LOAD CELLS	NET WEIGHT OF MOUNTING KIT (kg)	CODE
500		FCAL - FCAX	2	TFPV
500		FCAL - FCAX	2	TFPVZ
1000		FCAL - FCAX	2	TFPV2000

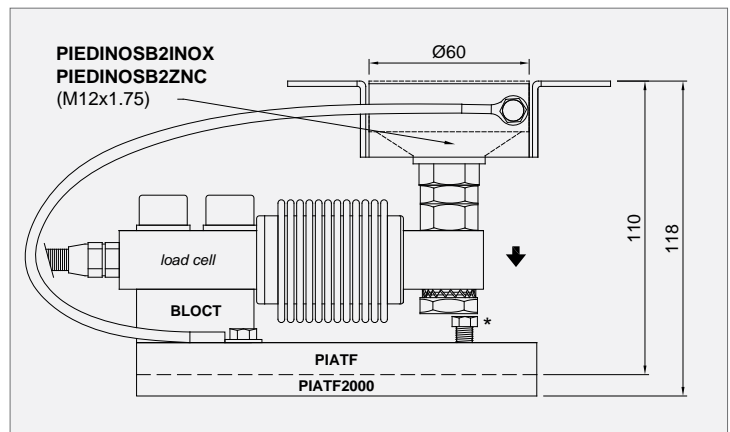
Load cell not included.

DESCRIPTION

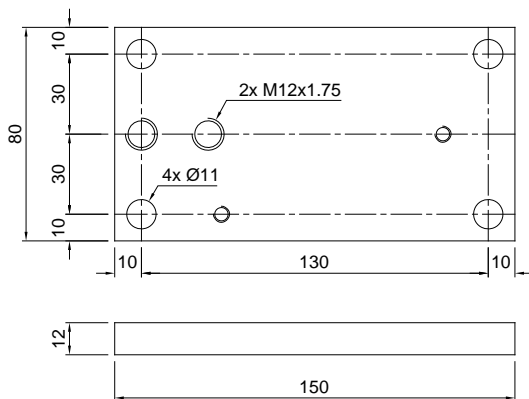
- Adjustable upper plate in AISI 304 stainless steel (PPV).
- Lower plate and block in AISI 304 stainless steel.
- Constraint against lateral forces and anti-tilt by in (TFPV, TFPV2000) AISI 304 stainless steel or (TFPVZ) galvanized steel self-centring joint foot.
- Misalignment compensation of the support plates structure.
- Adjustable height.
- Locking screw to avoid damage during transport and installation.

DIMENSIONS AND TECHNICAL SPECIFICATIONS

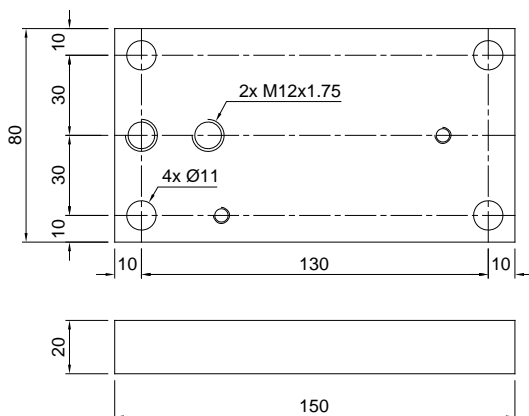
- During the transport and installation the lock (*) must touch under the load cell. After installation, move the lock away from the load cell.
- Interconnect the plates to the earthing.
- In case of structure with four-point support, if one-point does not touch the compression joint, you must proceed to insert a shim before fixing the bolts.



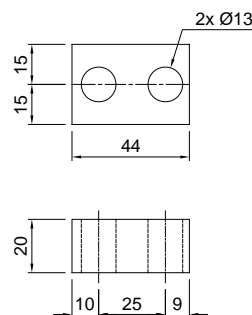
PIATF



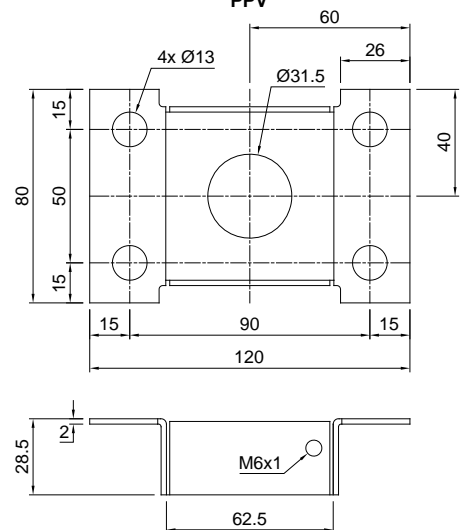
PIATF2000



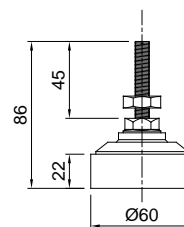
BLOCT



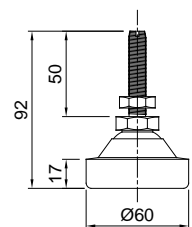
PPV



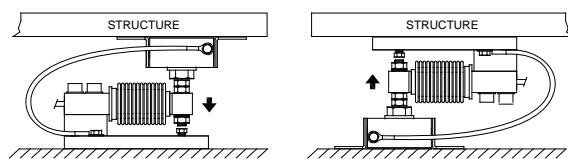
PIEDINOSB2ZNC
M12x1.75



PIEDINOSB2INOX
M12x1.75



MOUNTING AND PLACING STRUCTURE



POSSIBLE PPV UPER PLATE POSITIONS

