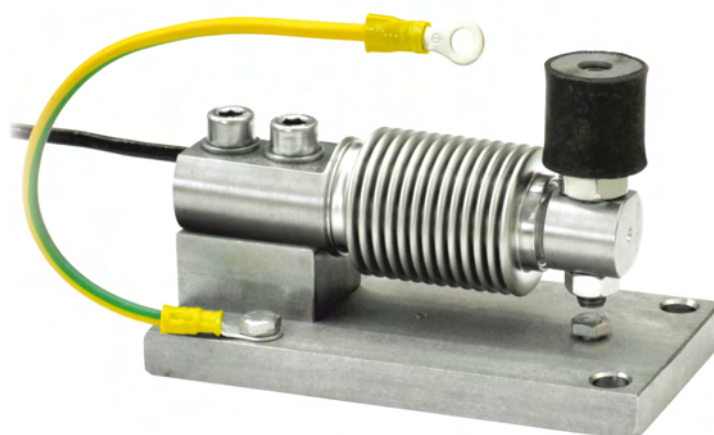


Series load cells: FCK - FCOL

Application range from 5 to 200 kg



MAX STATIC LOAD kg	FOR LOAD CELLS	NET WEIGHT OF MOUNTING KIT (kg)	CODE
200	FCK - FCOL	1.2	TFCFSB

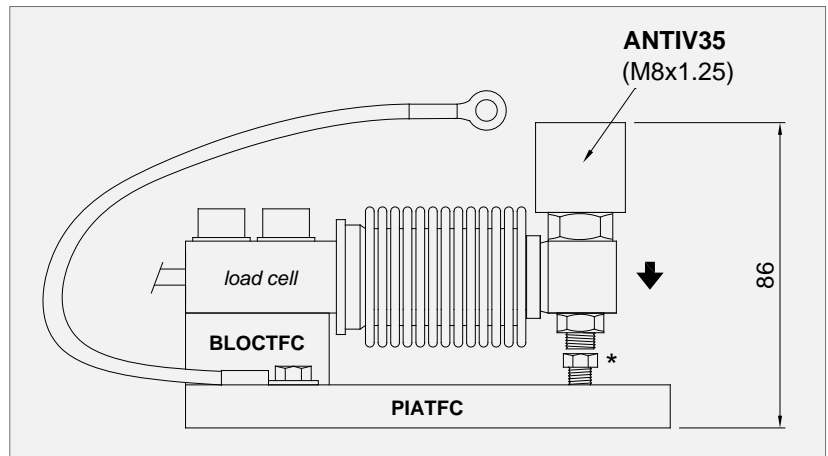
*Load cell not included.*

### DESCRIPTION

- Compression joint in AISI 304 stainless steel and rubber.
- Lower plate and block in AISI 304 stainless steel.
- Misalignment compensation of the support plates structure.
- Adjustable height.
- Locking screw to avoid damage during transport and installation.

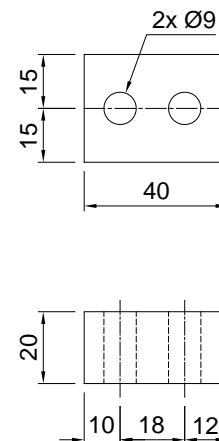
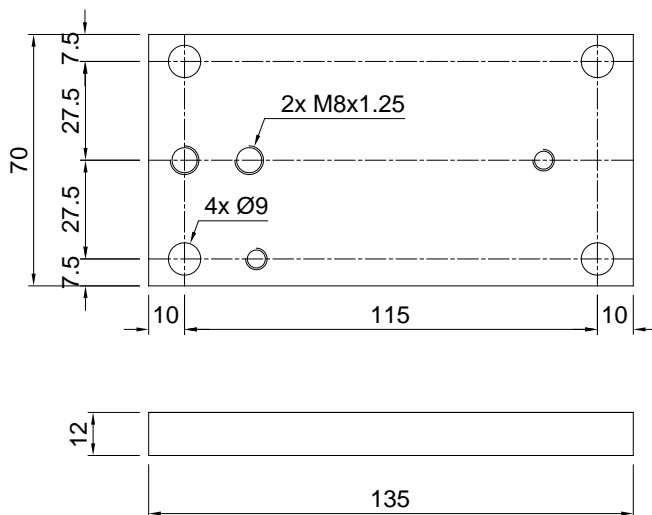
### DIMENSIONS AND TECHNICAL SPECIFICATIONS

- During the transport and installation the lock (\*) must touch under the load cell. After installation, move the lock away from the load cell.
- Connect the structure to be weighed by means of copper wire, then connect all the lower plates to the earthing system.
- In case of structure with four-point support, if one-point does not touch the compression joint, you must proceed to insert a shim before fixing the bolts otherwise adjust the height.

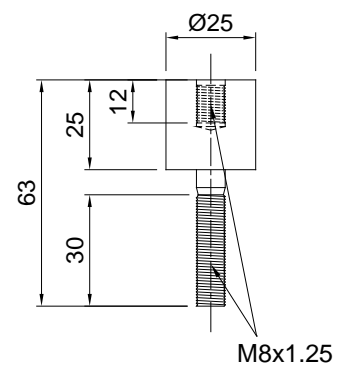


**PIATFC**

**BLOCTFC**



**ANTIV35**



**MOUNTING AND PLACING STRUCTURE**

