

# TFPVEN1090

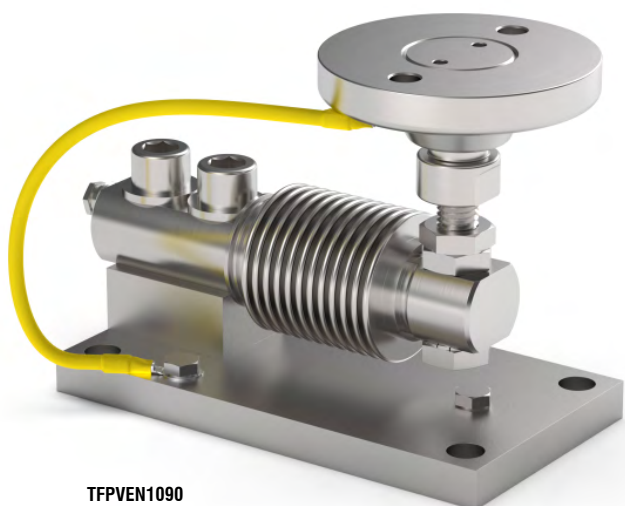
MOUNTING KIT for BENDING BEAM load cells

LAUMAS®

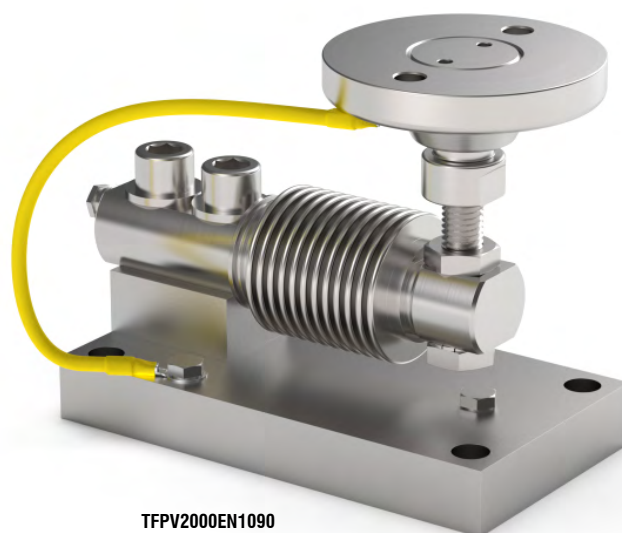
Series load cells: FCAL - FCAX



Up to 1500 kg application range  
Certification EN1090



TFPVEN1090



TFPV2000EN1090

MAX STATIC LOAD kg	FOR LOAD CELLS	NET WEIGHT (kg)	CODE
500	FCAL - FCAX	2	TFPVEN1090
1500	FCAX	2	TFPV2000EN1090

Load cell not included.

## DESCRIPTION

- Constraint against lateral forces and anti-tilt by AISI 304 stainless steel self-centring joint foot.
- Lower plate and block in AISI 304 stainless steel.
- Compensation for any misalignments of the support plates of the structure.
- Partial height adjustment.
- Locking screw to avoid damage during transport and installation.

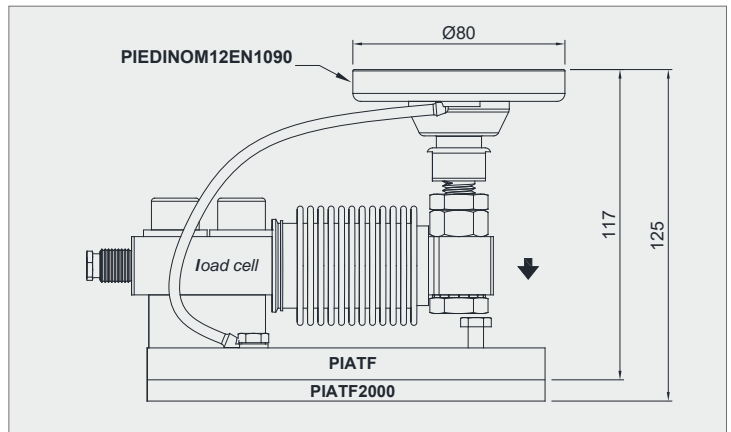
# TFPVEN1090

## MOUNTING KIT for BENDING BEAM load cells

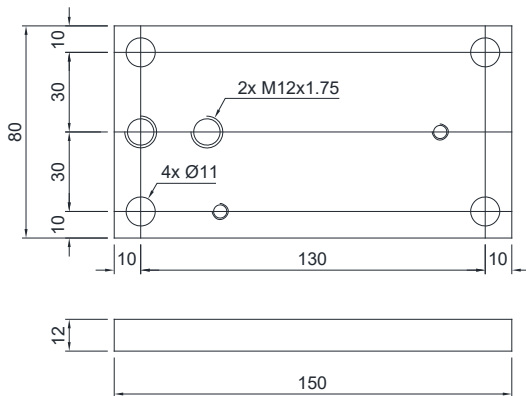
LAUMAS®

### DIMENSIONS AND TECHNICAL SPECIFICATIONS

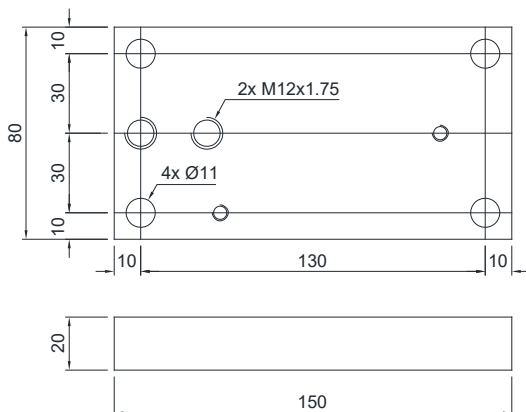
- During the transport and installation the lock (\*) must touch under the load cell. After installation, move the lock away from the load cell.
- Interconnect the plates to the earthing.
- In case of structure with four-point support, if one-point does not touch the upper part of the mounting kit, you must proceed to insert a shim before fixing the bolts.



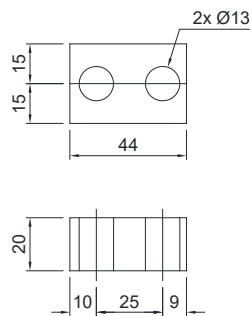
PIATF



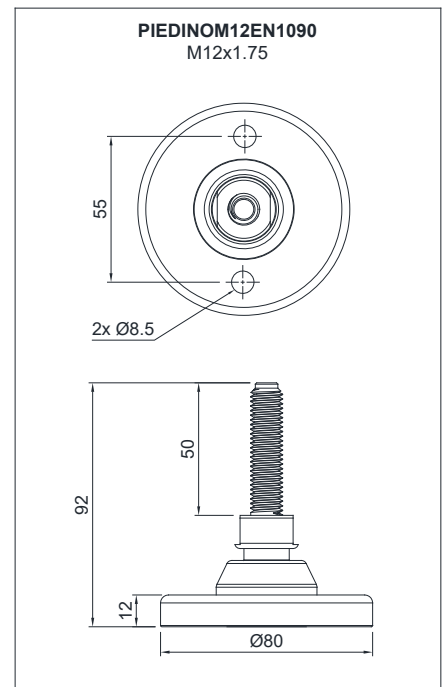
PIATF2000



BLOCT



PIEDINOM12EN1090  
M12x1.75



FIXING TO THE WEIGHED STRUCTURE

