

V10000/V10275-EN1090

MOUNTING KIT for COMPRESSION-LOW PROFILE load cells

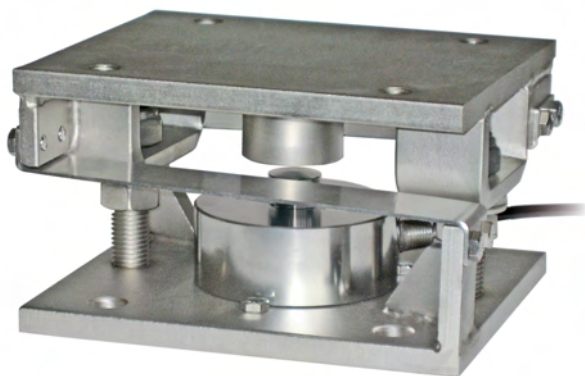
LAUMAS®

Series load cells:

CBL - CBX



Up to 15000 kg application range



V10000/V10000EN1090



V10275/V10275EN1090

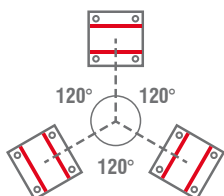
MAX STATIC LOAD kg	EN 1090	FOR LOAD CELLS	NET WEIGHT (kg)	CODE
15000	–	CBL (250 ÷ 12500 kg) - CBX (15000 kg)	5.7	V10000
15000	–	CBL (250 ÷ 12500 kg) - CBX (15000 kg)	6.9	V10275
15000	•	CBL (250 ÷ 12500 kg) - CBX (15000 kg)	5.7	V10000EN1090
15000	•	CBL (250 ÷ 12500 kg) - CBX (15000 kg)	6.9	V10275EN1090

Load cell not included.

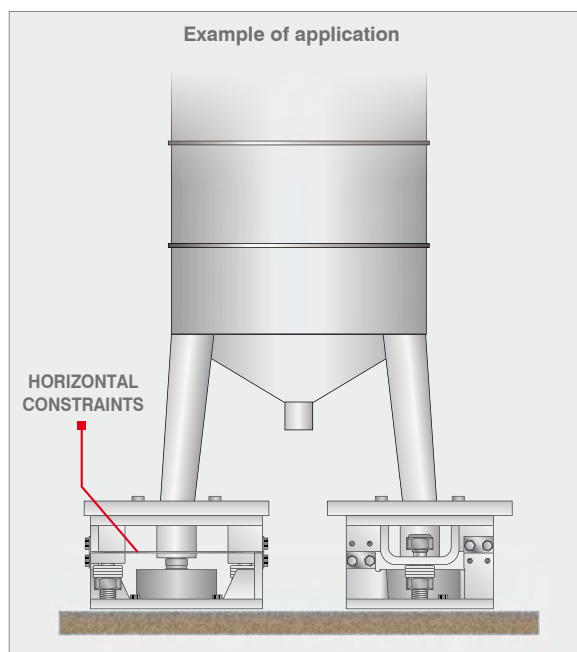
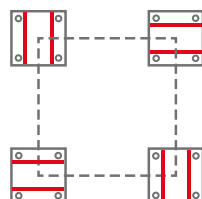
DESCRIPTION

- AISI 304 stainless steel upper and lower plates.
- AISI 304 stainless steel laminas against lateral forces.
- Anti-tilt constraint consisting of two threaded rods with self-locking nut.

HORIZONTAL CONSTRAINTS ORIENTATION IN STRUCTURES WITH 3-POINTS SUPPORT



HORIZONTAL CONSTRAINTS ORIENTATION IN STRUCTURES WITH 4-POINTS SUPPORT



V10000/V10275-EN1090

MOUNTING KIT for COMPRESSION-LOW PROFILE load cells

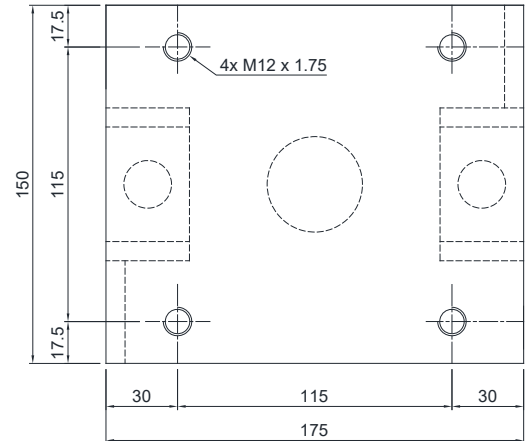
LAUMAS®

DIMENSIONS AND TECHNICAL SPECIFICATIONS

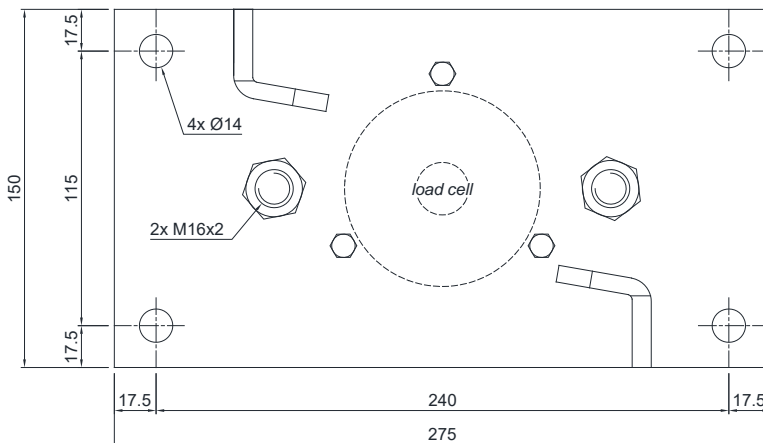
Upper and lower plates **2** must rest completely on not deformable surfaces. To ensure the stability of the structure, the system designer must predict any further precaution against side shifts and anti-tilt in function of: knocks and vibrations, wind effect, seismic conditions and hardness of support structure.

- Install the weighed system using only the mounting kit without the load cell **1** and inserting in its place a piece of pipe (1-2 mm higher than the load cell).
- To finish the installation (weldings, etc.), remove the piece of pipe and then removing the bolts to fix the the load cell **7** insert the load cell **1** in mounting kit.
- Connect lower and upper plates **2** to the earthing system then loosen nuts **5**; verify that the threaded rod **4** slides into the hole; turn anti-tilt nuts **6** to a distance of 1 mm from plate.
- Tighten the three bolts to fix the load cell **7**.

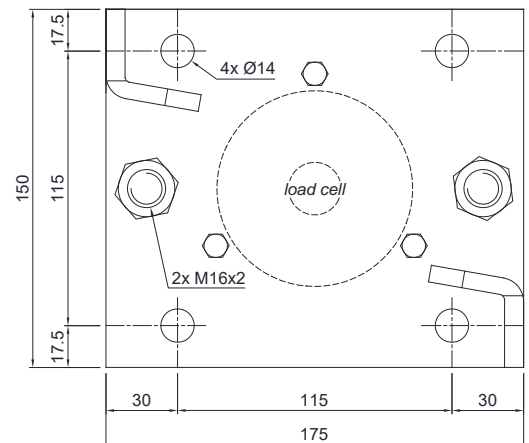
Upper plate



V10275/V10275EN1090 - Lower plate



V10000/V10000EN1090 - Lower plate



- 1 Load cell.
- 2 AISI 304 stainless steel upper and lower plates.
- 3 AISI 304 stainless steel laminas with horizontal constraint function.
- 4 Threaded rod.
- 5 Nut to be used as jack.
- 6 Anti-tilt self-locking nut.
- 7 M6 bolts to fix the load cell.

