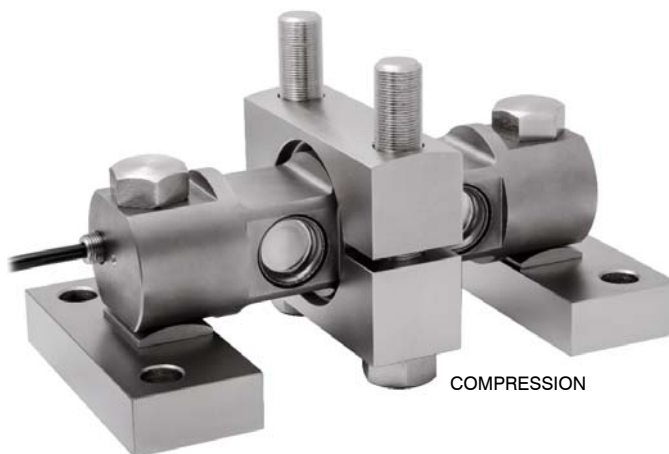
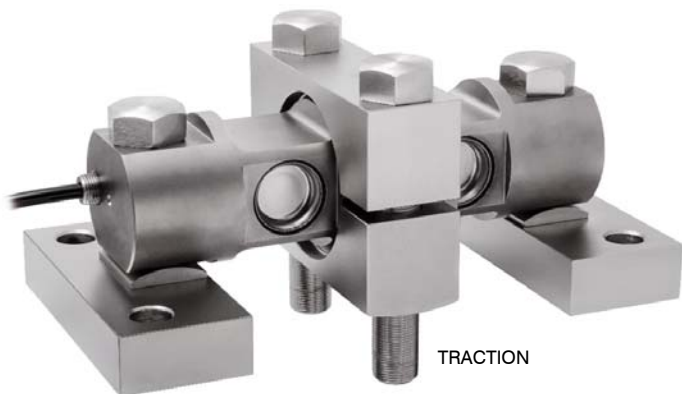


Series load cells: **DTX**

Up to 60 klb/27 ton application range



DESCRIPTION

- Nickel-plated steel alloy mounting kit for rigid attachment of the load cell.
- It prevents horizontal movement.

MAX STATIC LOAD **klb / c.a. ton**

60 klb / 27 ton

FOR LOAD CELLS

DTX 30 klb ÷ 60 klb

NET WEIGHT (kg)

16.9

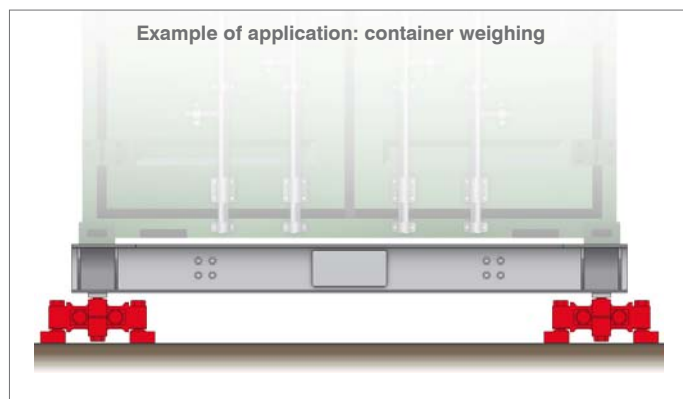
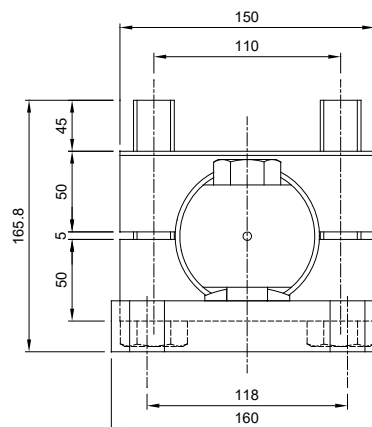
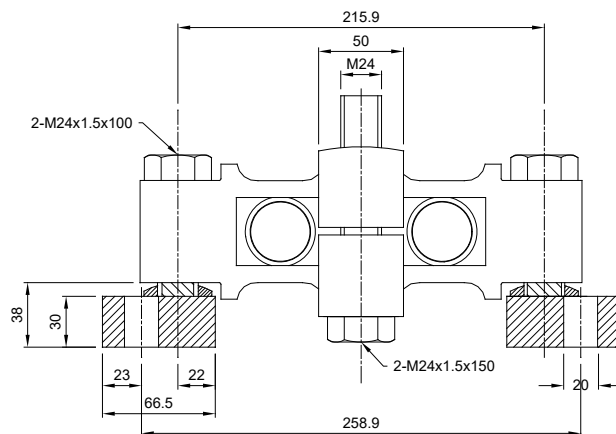
CODE

VDTX

Load cell not included.

DIMENSIONS AND TECHNICAL SPECIFICATIONS

The base plates must be placed on non-deformable surface. To ensure the stability of the structure, the system designer must predict any further precaution against side shifts and anti-tilt in function of: knocks and vibrations, wind effect, seismic conditions and hardness of support structure.



Example of application: container weighing

The Company reserves the right to make changes to the technical data, drawings and images without notice.