

Z15000/100000

MOUNTING KIT for COMPRESSION-LOW PROFILE load cells

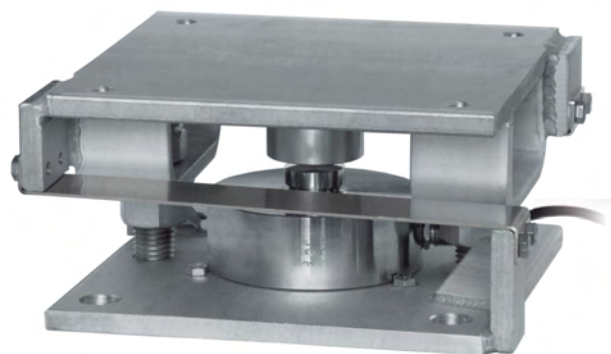
LAUMAS®

Series load cells: **CBL - CBX**

Up to 100000 kg application range

DESCRIPTION

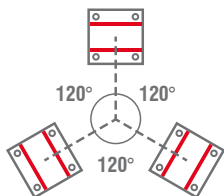
- Upper and lower plates in galvanized S355JR construction steel.
- AISI 304 stainless steel laminas against lateral forces.
- Anti-tilt constraint consisting of two threaded rods with self-locking nut.



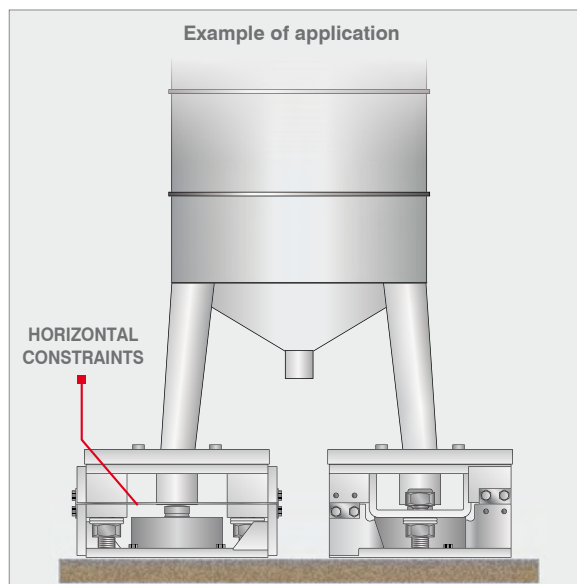
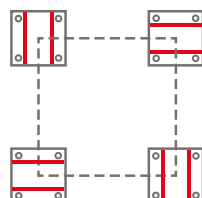
MAX STATIC LOAD	kg	FOR LOAD CELLS	NET WEIGHT (kg)	CODE
30000		CBL (15000 kg) - CBX (30000 kg)	9	Z15000
50000		CBL (30000 kg) - CBX (50000 kg)	17.5	Z30000
100000		CBL (50000 kg) - CBL (100000 kg)	33.5	Z100000

Load cell not included.

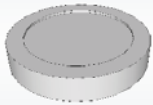


HORIZONTAL CONSTRAINTS ORIENTATION IN STRUCTURES WITH 3-POINTS SUPPORT



HORIZONTAL CONSTRAINTS ORIENTATION IN STRUCTURES WITH 4-POINTS SUPPORT



COMPLEMENTARY ACCESSORIES

	DESCRIPTION	CODE
	AISI 304 stainless steel adapter: Z15000 for load cells: Ø82 mm Z30000 for load cells: Ø100 mm Z100000 for load cells: Ø126 mm	ADAT100CBX15T ADAT126CBX30T ADAT165CBX50T
	Galvanized steel turnbuckle with dual ball-and-socket. Net weight: 2.10 kg Working load: 2500 kg Ultimate overload: 10000 kg	TENDITORE300
	Galvanized steel anchor plate for TENDITORE300 Net weight: 1.5 kg	PTEND

Rev. 0.0

Z15000/100000

MOUNTING KIT for COMPRESSION-LOW PROFILE load cells

LAUMAS®

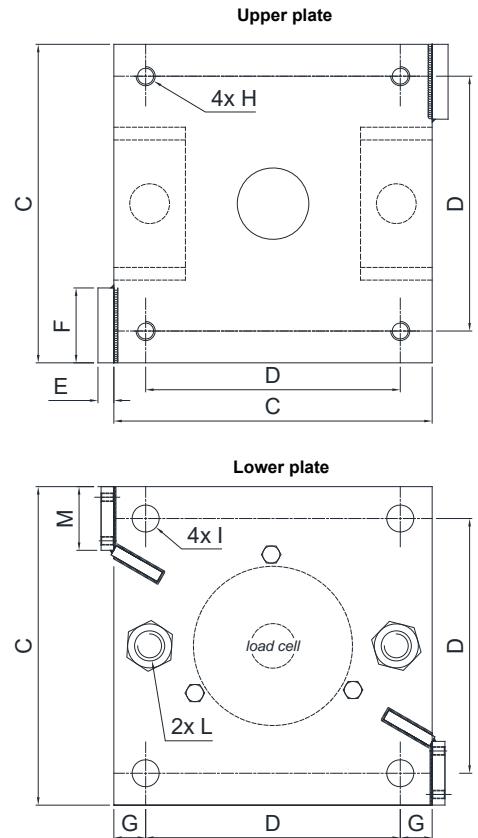
DIMENSIONS AND TECHNICAL SPECIFICATIONS

Upper and lower plates [2] must rest completely on not deformable surfaces. To ensure the stability of the structure, the system designer must predict any further precaution against side shifts and anti-tilt in function of: knocks and vibrations, wind effect, seismic conditions and hardness of support structure.

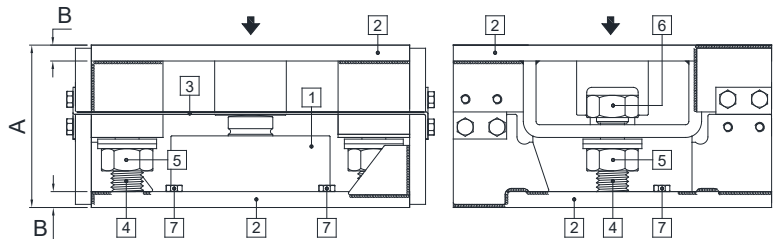
- Install the weighed system using only the mounting kit without the load cell [1] and inserting in its place a piece of pipe (1-2 mm higher than the load cell).
- To finish the installation (weldings, etc..), remove the piece of pipe and then removing the bolts to fix the the load cell [7] insert the load cell [1] in mounting kit.
- Connect lower and upper plates [2] to the earthing system then loosen nuts [5] ; verify that the threaded rod [4] slides into the hole; turn anti-tilt nuts [6] to a distance of 1 mm from plate.
- Tighten the three bolts to fix the load cell [7].

	A	B	C	D	E	F	G	H	I	L	M	Weight
Z15000	102	10	200	160	10	47	20	M12x1.75	Ø17	M20x2.5	40	9 kg
Z30000	132	12	250	185	12	70	32.5	M18x2.5	Ø20	M24x3	60	17 kg
Z100000	155	15	320	250	15	95	35	M20x2.5	Ø23	M30x3.5	70	34 kg

Dimensions (mm)



- Load cell.
- Upper and lower plates in galvanized S355JR construction steel.
- AISI 304 stainless steel laminas with horizontal constraint function.
- Threaded rod.
- Nut to be used as jack.
- Anti-tilt self-locking nut.
- M6 bolts to fix the load cell.



Application example:
how to make further horizontal constraints with the TENDITORE300 accessory

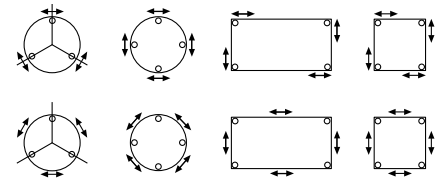
STRUCTURE WITH 3-POINTS SUPPORT

1 CONSTRAINT FOR SUPPORT

STRUCTURE WITH 4-POINTS SUPPORT

2 CONSTRAINTS FOR SUPPORT

CONSTRAINTS PLACEMENT ON 3/4 SUPPORTS: the horizontal constraints can be positioned both on supports and on the four sides, centrally between two supports.



Rev. 0.0

The Company reserves the right to make changes to the technical data, drawings and images without notice.